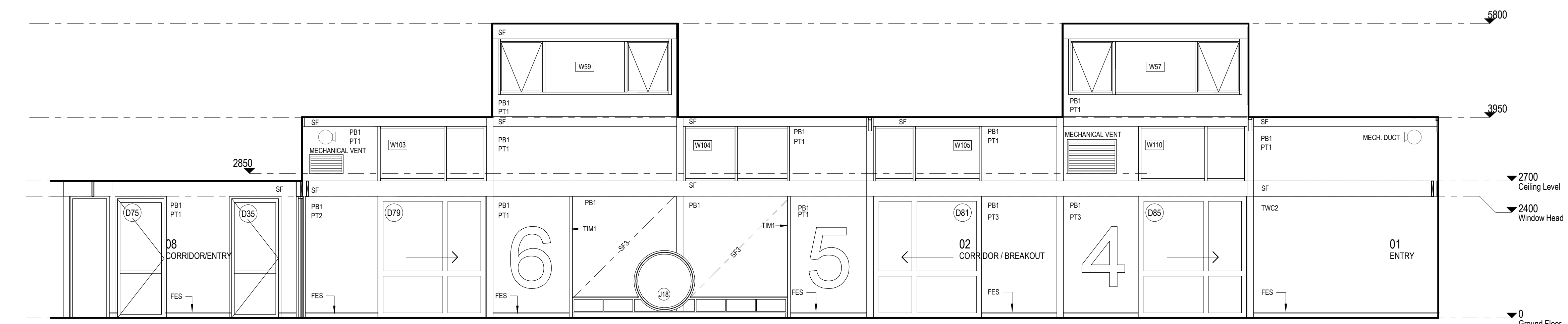
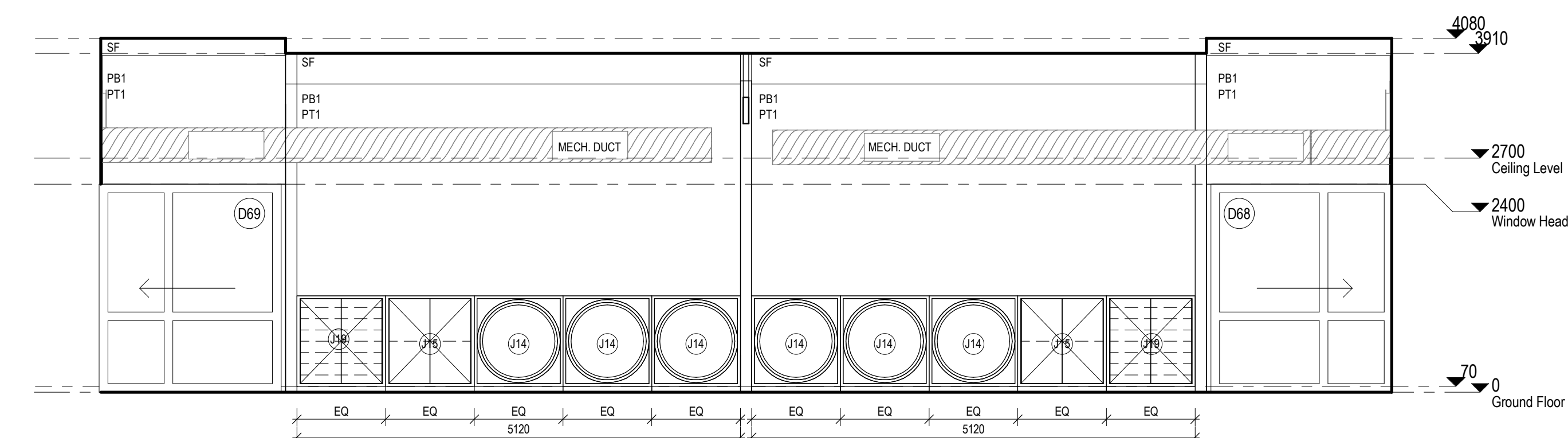


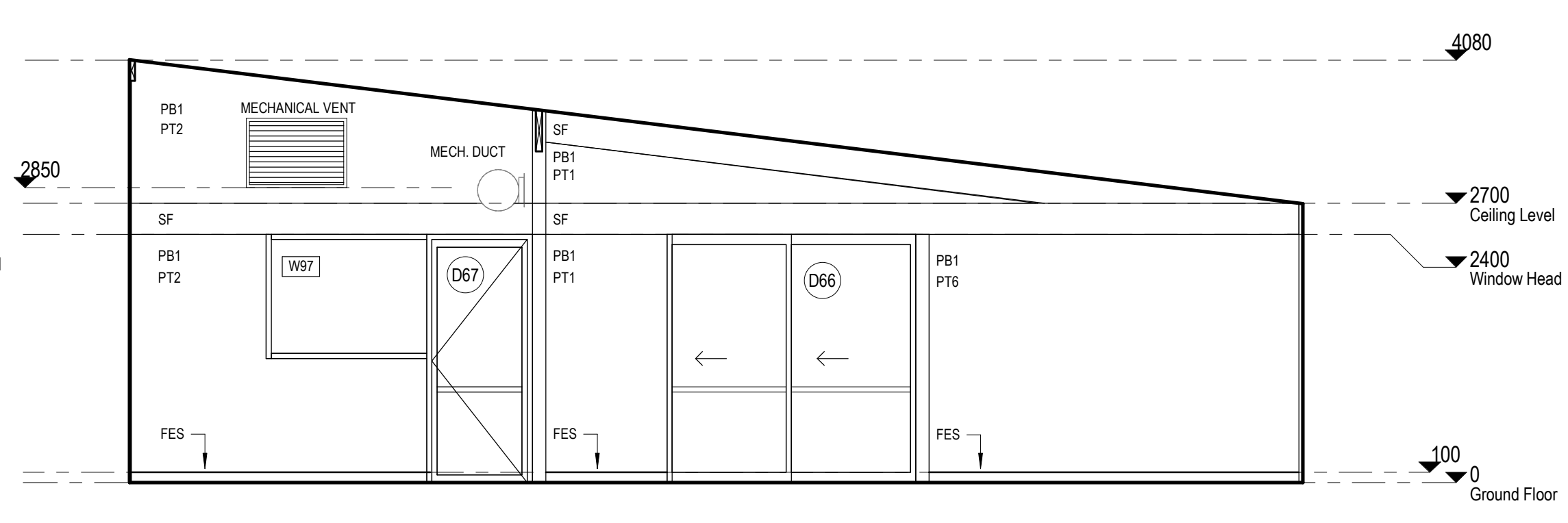
1 CORRIDOR WEST
A105 SCALE 1:50



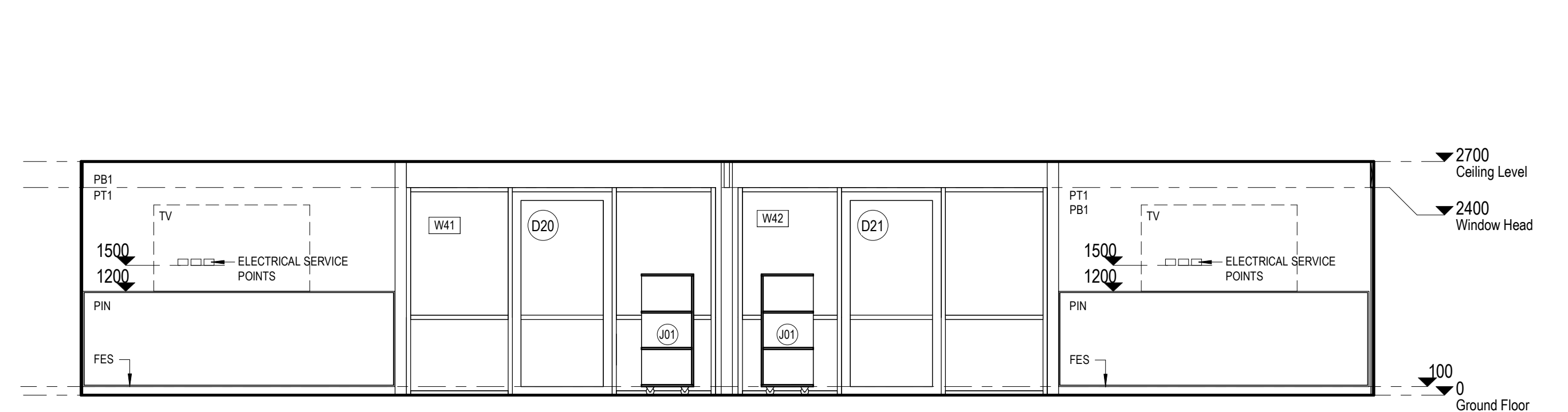
2 CORRIDOR EAST
A105 SCALE 1:50



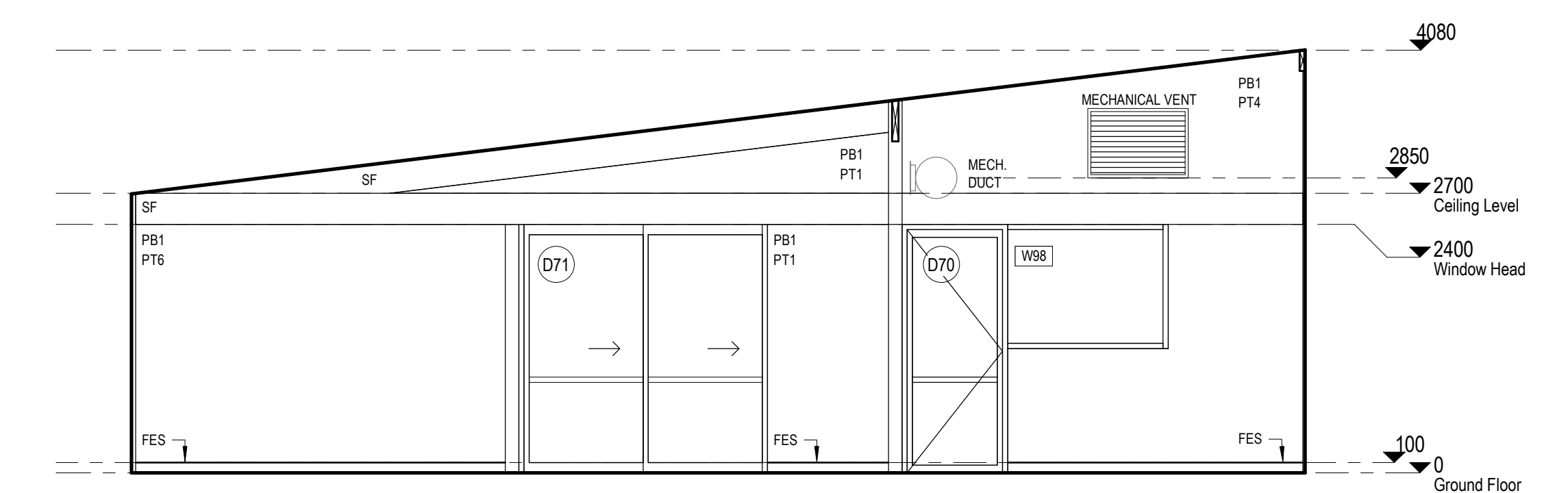
3 GLA 08 & 09 WEST ELEVATION
A107 SCALE 1:50



4 GLA 08 & 09 NORTH ELEVATION
A106 SCALE 1:50



5 GLA 08 & 09 EAST ELEVATION
A107 SCALE 1:50



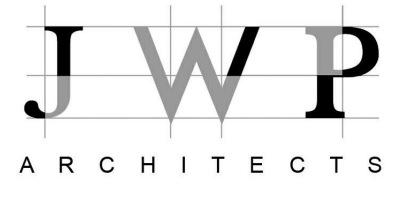
6 GLA 08 & 09 SOUTH ELEVATION
A106 SCALE 1:50

Keynote Legend Copy 2		Keynote Legend Copy 2	
Key Value	Keynote Text	Key Value	Keynote Text
BF1	BRICK FACE-TYPE 1	MFF2	METAL FOLDED FLASHING-TYPE 2
BF2	BRICK FACE-TYPE 2	MIR	MIRROR
BS1	BRICK SILL-TYPE 1	MR1	METAL ROOFING-TYPE 1
CJ	CONTROL JOINT	MR2	METAL ROOFING-TYPE 2
OMS	CONCRETE JOINING STRIP	MR3	METAL ROOFING-TYPE 3
COL	COLUMN	PB1	PLASTERBOARD-TYPE 1
CON	CONCRETE SLAB	PB3	PLASTERBOARD-TYPE 3
CPS	CONCRETE PAVING SLAB	PIN	PIN BOARD
CPT1	CARPET-TYPE 1	PNB	PIN BOARD-TYPE 1
CVS	COVERED VINYL SKIRTING	PLY1	PLY LINING-TYPE 1
DID	DISPENSER TOWEL	PSH	PLASTER SHADOWLINE MOULD
DIS	DISPENSER SOAP	PS5	PLASTER SQUARE SET MOULD
DIT	DISPENSER TOILET PAPER	PT1	PAINT FINISH 1
DP	DOWNPIPE	PT2	PAINT FINISH 2
DP1	DOWNPIPE-TYPE 1	PT3	PAINT FINISH 3
DP2	DOWNPIPE-TYPE 2	PT4	PAINT FINISH 4
DP3	DOWNPIPE-TYPE 3	PT6	PAINT FINISH 6
DP4	DOWNPIPE-TYPE 4	RS1	RESILIENT SHEET-TYPE 1
DP5	DOWNPIPE-TYPE 5	RS2	RESILIENT SHEET-TYPE 2
DPC	DAMP PROOF COURSE	RS3	RESILIENT SHEET-TYPE 3
DPS	DOWNPIPE-SPREADER	RS4	RESILIENT SHEET-TYPE 4
EM	ENTRY MAT	RS5	RESILIENT SHEET-TYPE 5
FCC1	FIBRE CEMENT SHEET CLADDING-TYPE 1	RWH	RAIN WATER HEAD
FCC2	FIBRE CEMENT SHEET CLADDING-TYPE 2	SAR	SARKING
FES	FEATHER EDGED SKIRTING	SF	STRUCTURAL FRAMING
GBR	GRAB RAIL	TFB	TIMBER FIXING BATTEN
GR2	GRAB RAIL-TYPE 2	TIL1	TILES-TYPE 1
GUT1	GUTTER-TYPE 1	TIL3	TILES-TYPE 3
GUT2	GUTTER-TYPE 2	TIL4	TILES-TYPE 4
GUT3	GUTTER-TYPE 3	TIM	TIMBER
HR1	HAND RAIL-TYPE 1	TIM1	TIMBER-TYPE 1
HWS	HOT WATER SERVICE	TR1	TIMBER SKIRTING
INS1	INSULATION-THERMAL WALL	TSR	TIMBER SKIRTING
INS2	INSULATION-THERMAL CEILING	TSR1	TRANSLUCENT SHEETING ROOF-TYPE 1
INS4	INSULATION-ACOUSTIC WALL	TV	TELEVISION
MC1	METAL SOFFIT CLADDING-TYPE 1	TWC1	TIMBER WALL CLADDING-TYPE 1
MC1.1	METAL CLADDING-TYPE 1	TWC2	TIMBER WALL CLADDING-TYPE 2
MC1.2	METAL CLADDING-TYPE 2	VBC	VITRAPANEL CLADDING-TYPE 1
MC1.3	METAL CLADDING-TYPE 3	VBC1	VITRAPANEL CLADDING-TYPE 1
MFF	METAL FOLDED FLASHING	VBC2	VITRAPANEL CLADDING-TYPE 2
MFF1	METAL FOLDED FLASHING-TYPE 1	VBC3	VITRAPANEL CLADDING-TYPE 3
		VBC4	VITRAPANEL CLADDING-TYPE 4
		VBC5	VITRAPANEL CLADDING-TYPE 5
		VBC6	VITRAPANEL CLADDING-TYPE 6
		WAL	WET AREAL LINING
		WB	WHITE BOARD

NOTE:
BUILDER TO PROVIDE NOGGINGS FOR FIXING POINTS
BUILDER TO INSTALL BRACKETS FOR TV'S



C:\Users\Matthew\Documents\SL503-Plan_Matthew-C-JWP.rvt 24/09/2020 12:13:53 PM
DO NOT SCALE DRAWINGS
FIGURED DIMENSIONS TAKE PRECEDENCE.
COPYRIGHT OF THIS DRAWING IS VESTED IN JWP ARCHITECTS UNDER THE PROVISION OF THE COPYRIGHT ACT 1968.
UNAUTHORISED USE OF THIS INFORMATION IS PROHIBITED
Revision Revision Date Revision Description Issued by
T1 2020.09.24 TENDER ISSUE



ST LUKE'S PRIMARY SCHOOL, SHEPPARTON
PROPOSED CLASSROOMS
GLA CORRIDOR SOUTH, GLA 08 & GLA 09
INTERNAL ELEVATIONS

Drawing No	A402	T1
Status	TENDER	Scale shown for A1