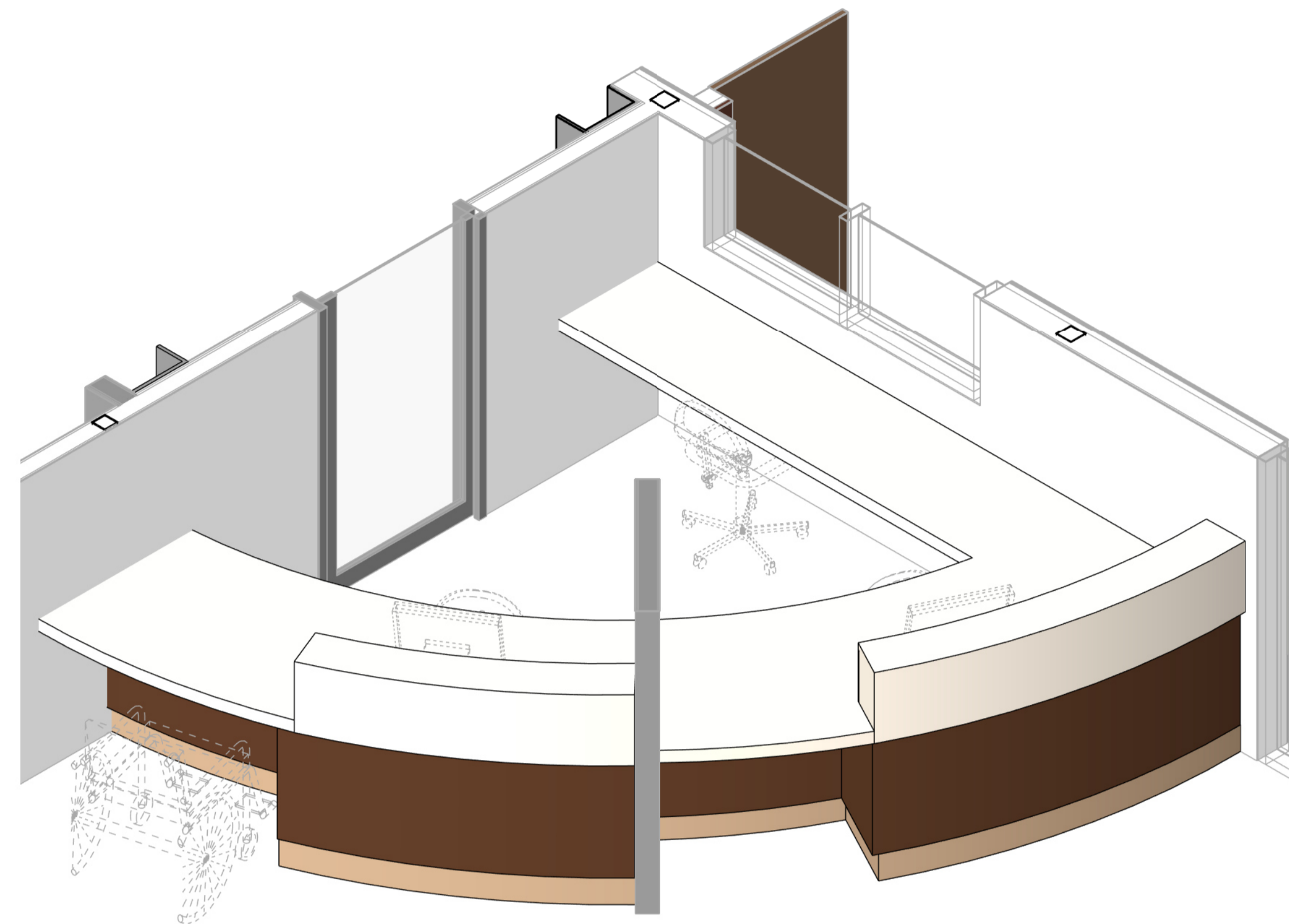


J01 - PLAN
SCALE: 1:20



J01 - RECEPTION DESK
SCALE:

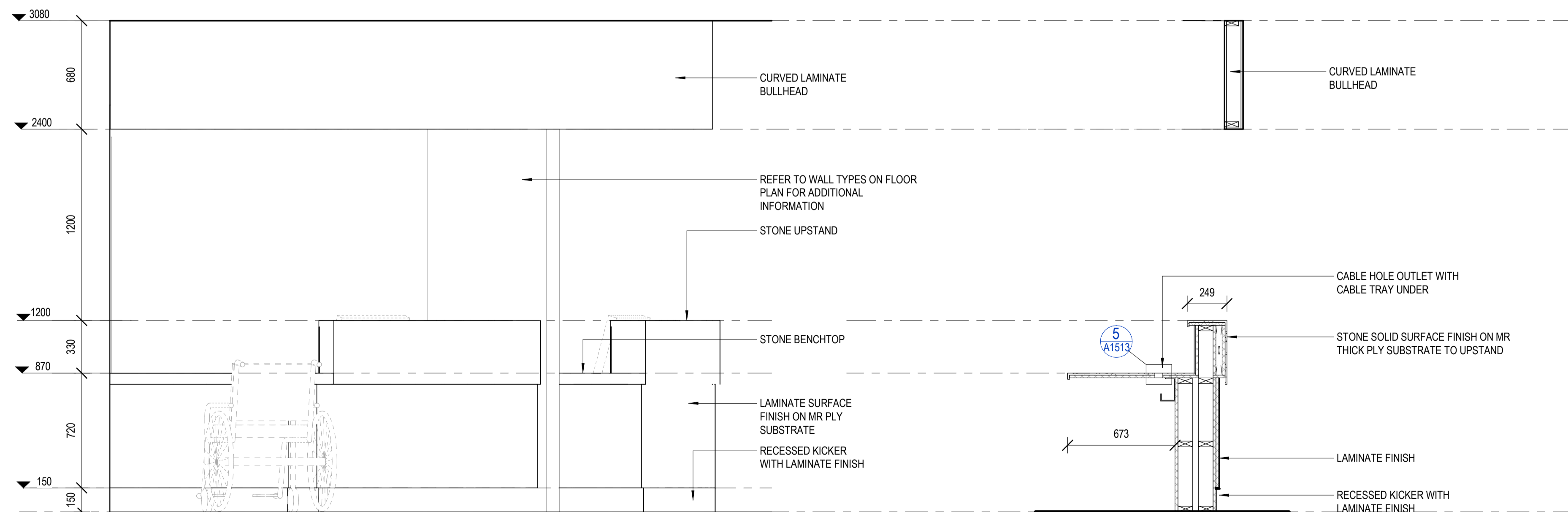
JOINERY NOTES

- JOINERY BULKHEAD VARIES
- REFER TO INTERNAL ELEVATIONS AND RCPs FOR ADDITIONAL INFORMATION
- REFER TO JOINERY SCHEDULE FOR SPECIFIED FINISHES
- TO BE READ IN CONJUNCTION WITH SPECIFICATIONS AND DETAILS
- REFER TO ELECTRICAL DRAWINGS FOR ANY POWER OUTLETS REQUIRED
- REFER TO FLOOR PLAN FOR JOINERY CODES, WALL TYPES, FINISHES

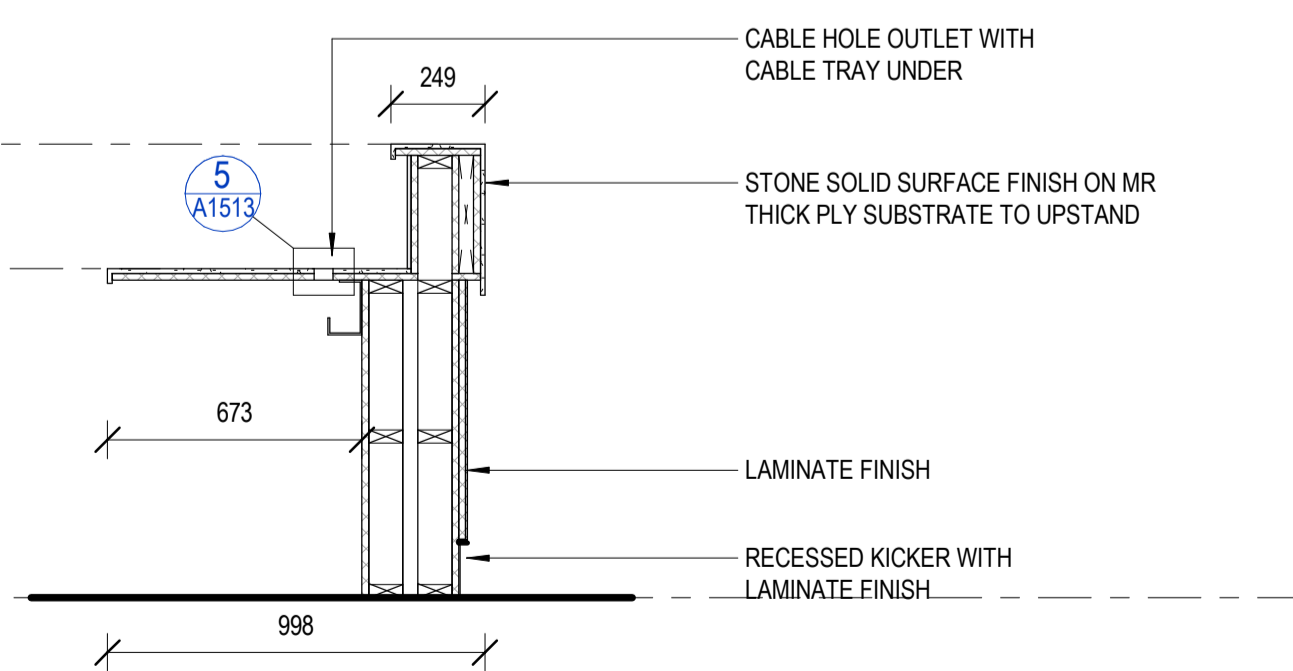
DRAWING ISSUED FOR INFORMATION ONLY NOT FOR CONSTRUCTION

GENERAL NOTES

- CONTRACTOR SHALL VERIFY ALL DIMENSIONS OF THIS DRAWING AND SITE CONDITIONS PRIOR TO ANY WORK COMMENCING.
- ALL DIMENSIONS SHALL BE VERIFIED ON SITE BEFORE PROCEEDING WITH THE WORK. RELEVANT PARTY SHALL BE NOTIFIED IN WRITING OF ANY DISCREPANCIES.
- THE MANUFACTURER SHALL NOT COMMENCE ANY WORKS PRIOR TO RETURN OF APPROVED SHOP DRAWINGS SIGNED BY THE RELEVANT CONSULTANTS.

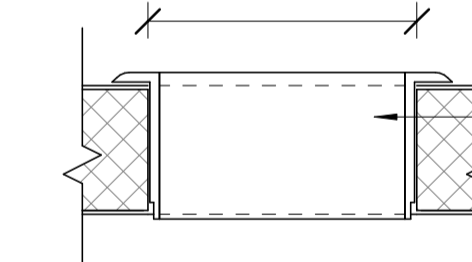


J01 - ELEVATION
SCALE: 1:20



J01 - SECTION 1
SCALE: 1:20

SEE SUPPLIER INSTALL GUIDE FOR DIMENSIONS



J01 - DETAILS
SCALE: 1:2

C:\Users\Fiona\Documents\AHSM_R24_admin\CHD86.nt		7/03/2025 5:33:45 AM
Revision	Revision Date	Revision Description
T1	2025.03.07	TENDER
		Issued by FM

J W P
ARCHITECTS

ALBURY WODONGA ABORIGINAL HEALTH SERVICES
WODONGA CLINIC

JOINERY DETAILS - SHEET 1

Drawing No	A1513	T1
Status	TENDER	Scale shown for A1