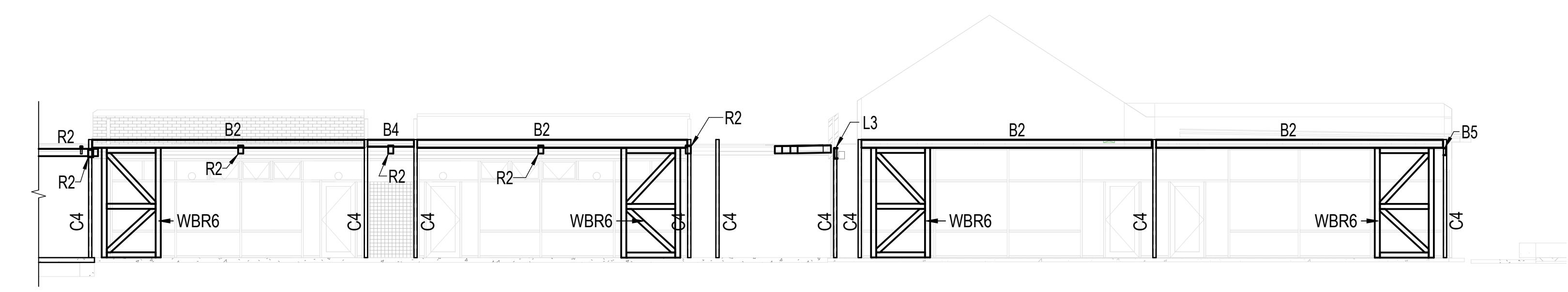


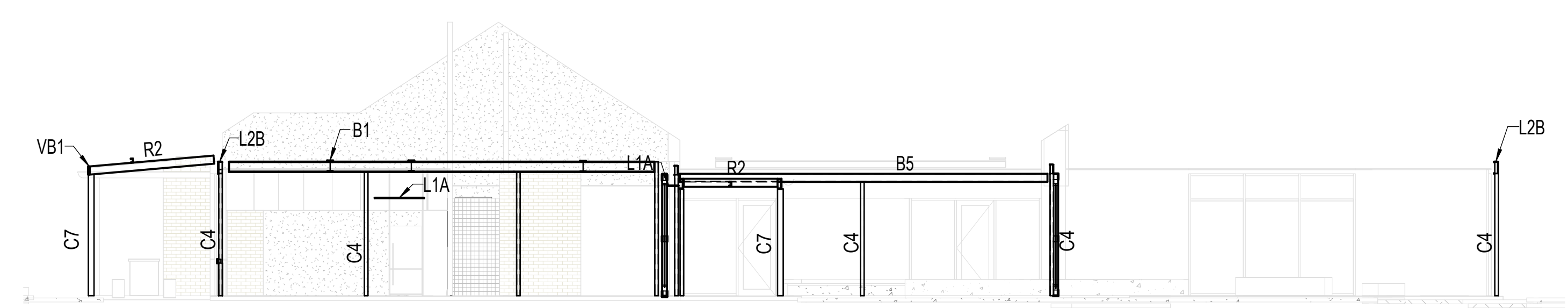
SECTION S13
SCALE = 1:100



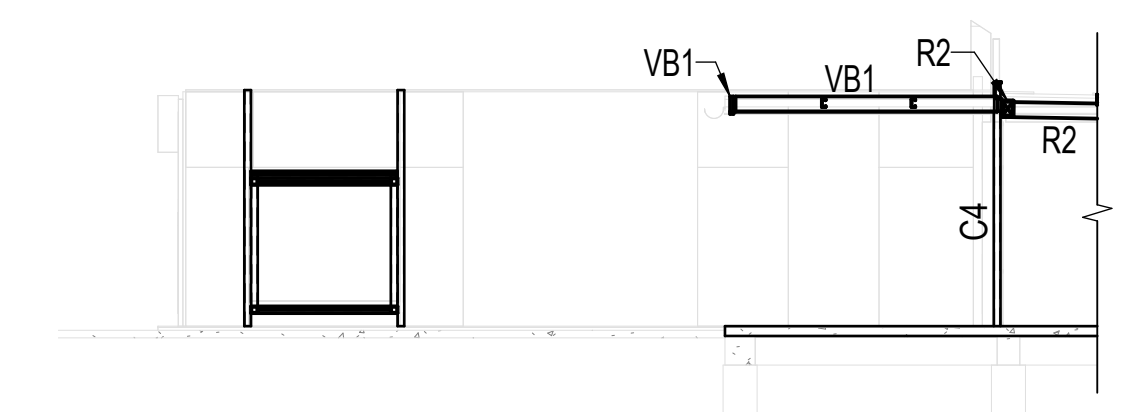
SECTION SB7
SCALE = 1:100



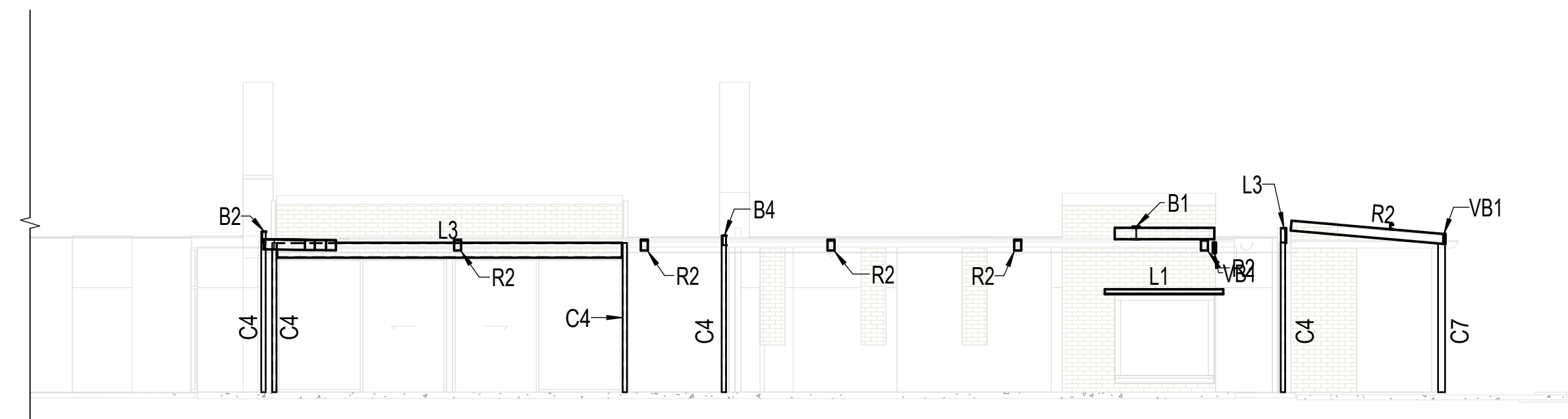
SECTION SB1
SCALE = 1:100



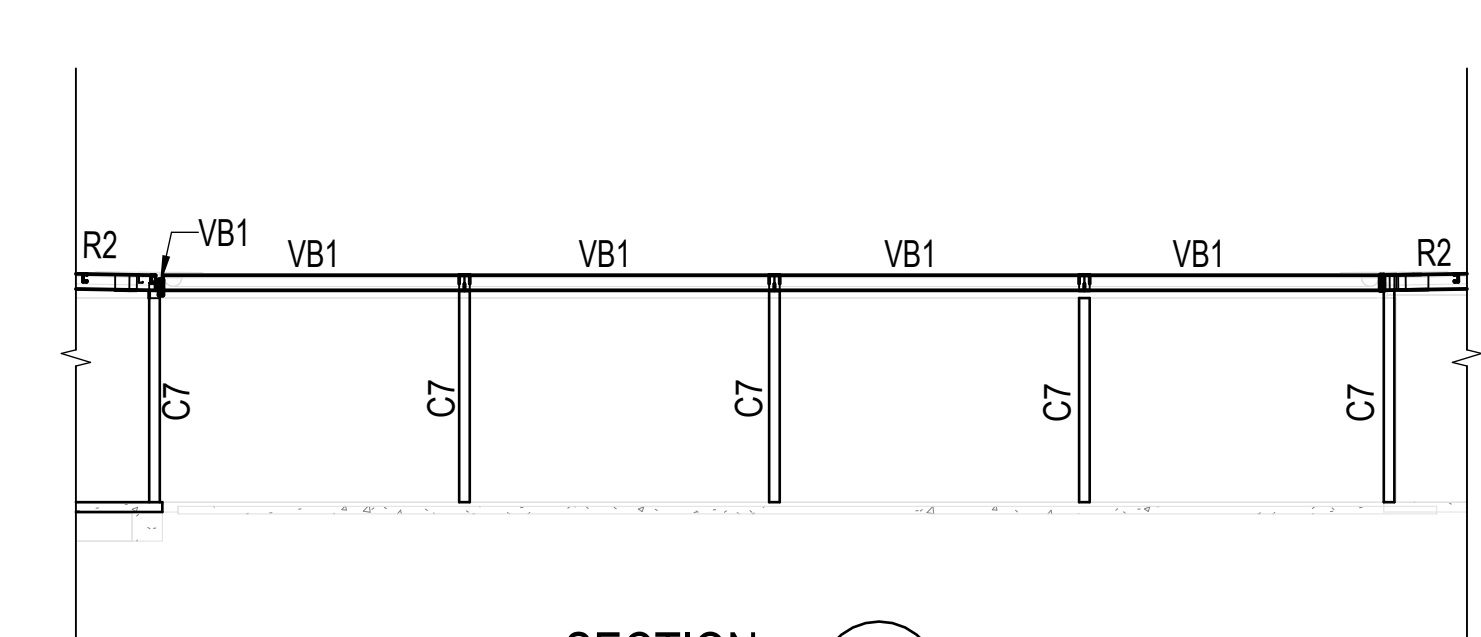
SECTION SB2
SCALE = 1:100



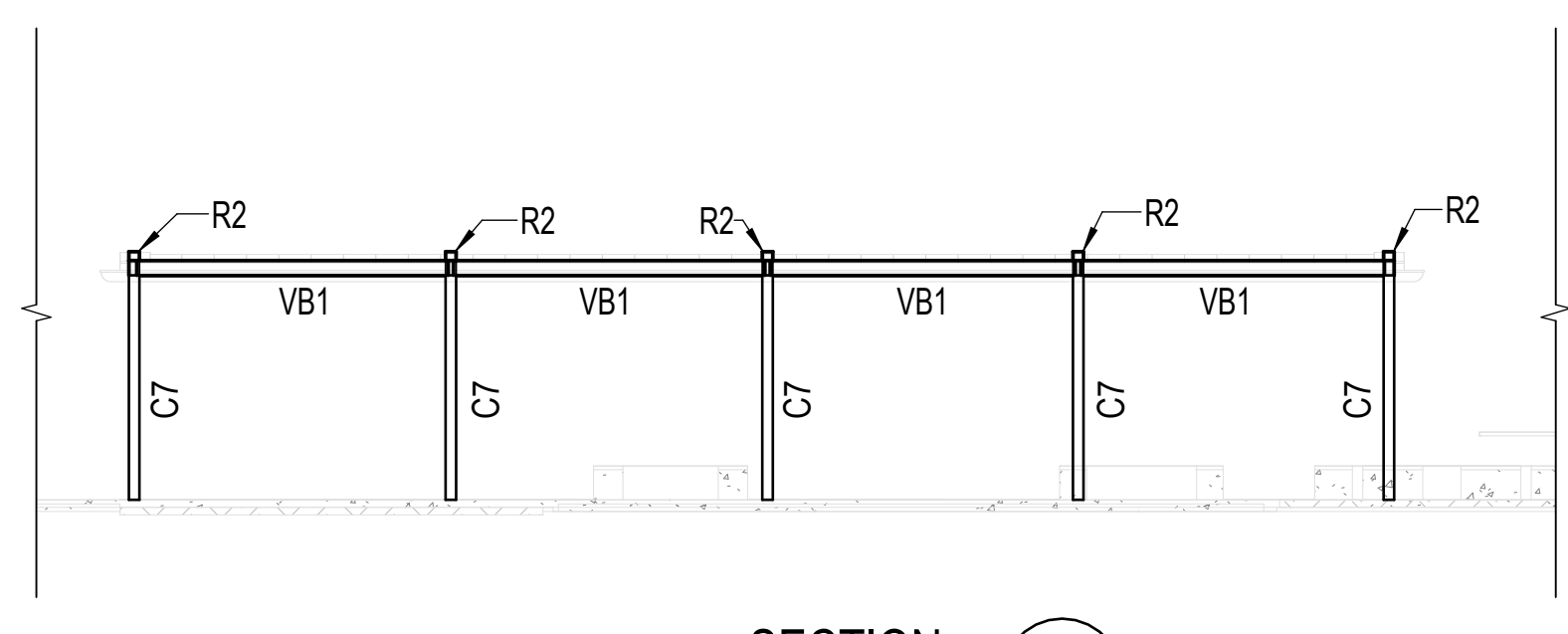
SECTION SB6
SCALE = 1:100



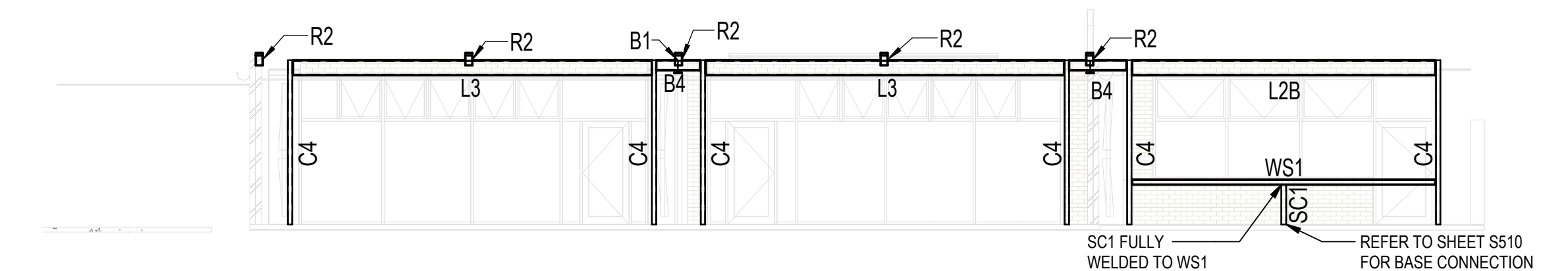
SECTION SB4
SCALE = 1:100



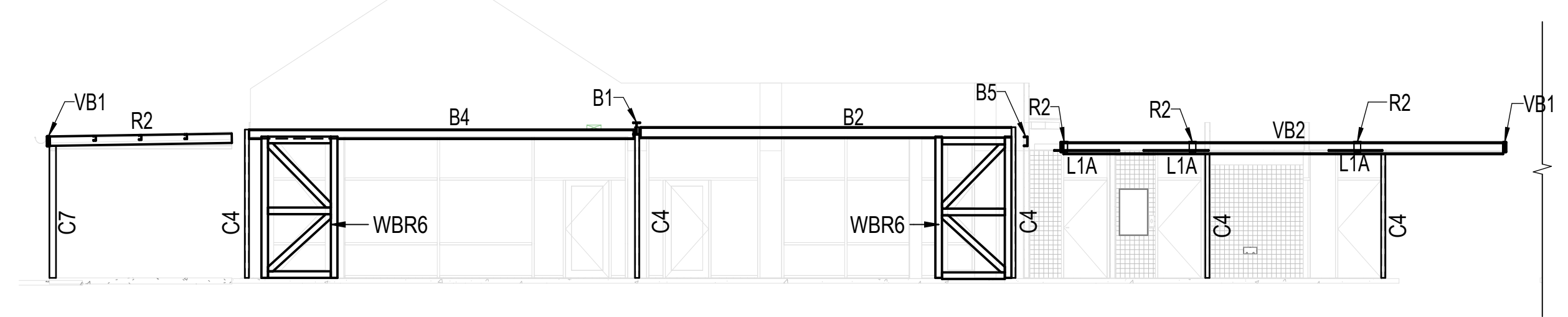
SECTION SB5
SCALE = 1:100



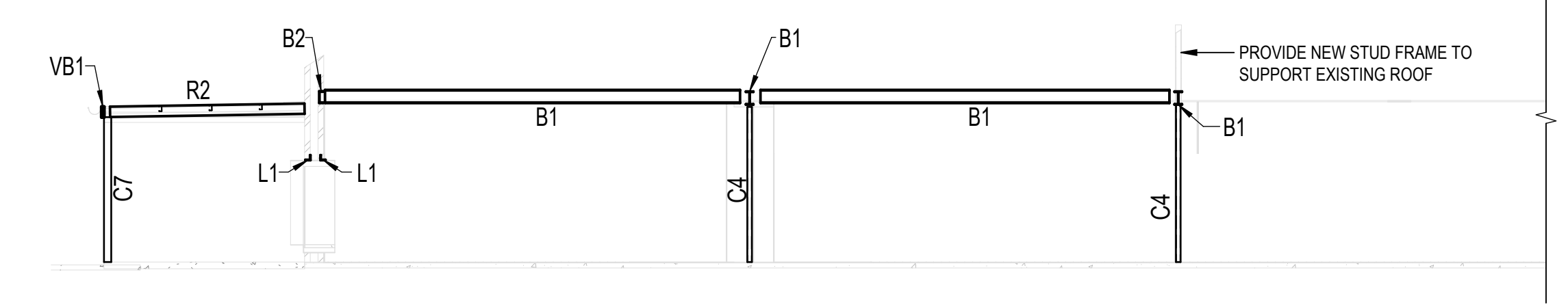
SECTION SB3
SCALE = 1:100



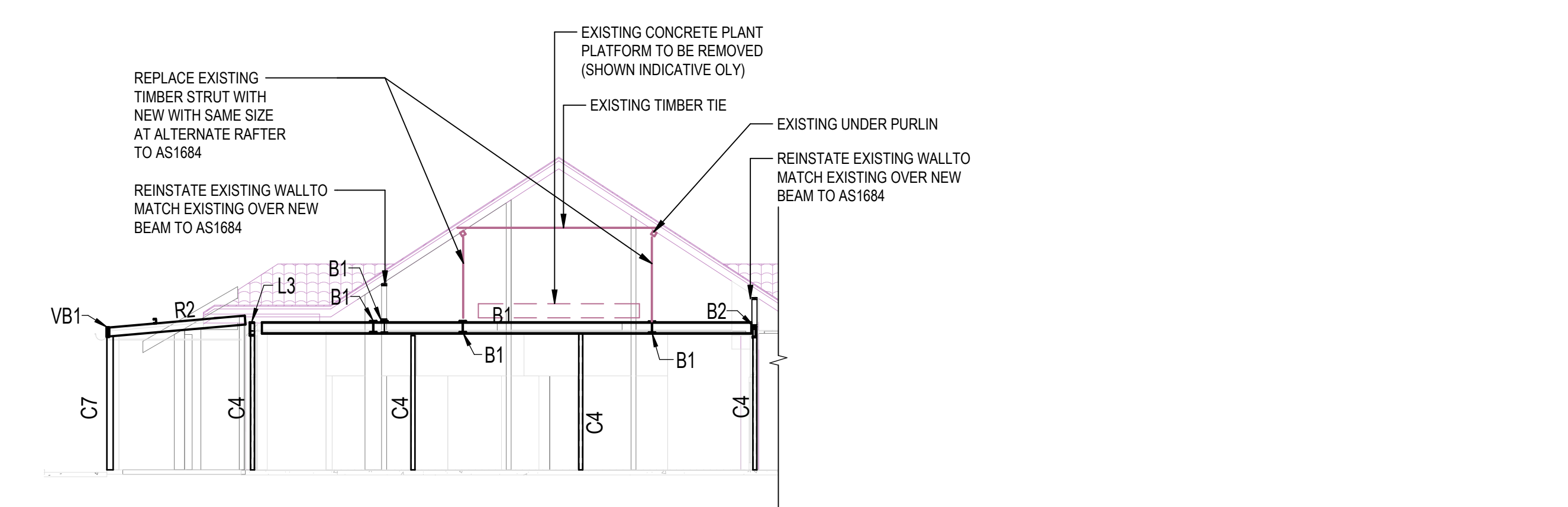
SECTION SB11
SCALE = 1:100



SECTION SB8
SCALE = 1:100



SECTION SB9
SCALE = 1:100



SECTION SB10
SCALE = 1:100

22/08/2024 3:01:24 PM C:\Users\eserv\OneDrive\Documents\3891 - AKPS2 Miglic Macleod Drawings\Structural Drawings\3891_R2023.rvt

Issue	Description	Drwn	Chkd	Appd	Date
T1	TENDER	E.V.	A.Y.	D.E.	19.08.24
PT1	PRE-TENDER	E.V.	A.Y.	D.E.	05.08.24
DD1	DESIGN DEVELOPMENT	E.V.	A.Y.	D.E.	19.06.24

Client:
PMDL
mcglashan everist
pmdl-mea.com.au

Project:
THE SCOTS JUNIOR SCHOOL ALBURY
393 PERRY STREET, ALBURY NSW 3640

Title:
FRAMING SECTIONS AND ELEVATIONS - SHEET 4

Designed by:
A.YONG

Drawn by:
E.VURAL

Date:
12.04.24

Scale:
1:100 @ A0

Status:
TENDER

Project No:
3891

Drawing No:
S203

Rev:
T1

MIGLIC MACLEOD
SHAPING THE BUILT ENVIRONMENT
Level 5, 468 St Kilda Road, Melbourne, VIC 3004
T 1300 30 40 79
W miglicmacleod.com.au