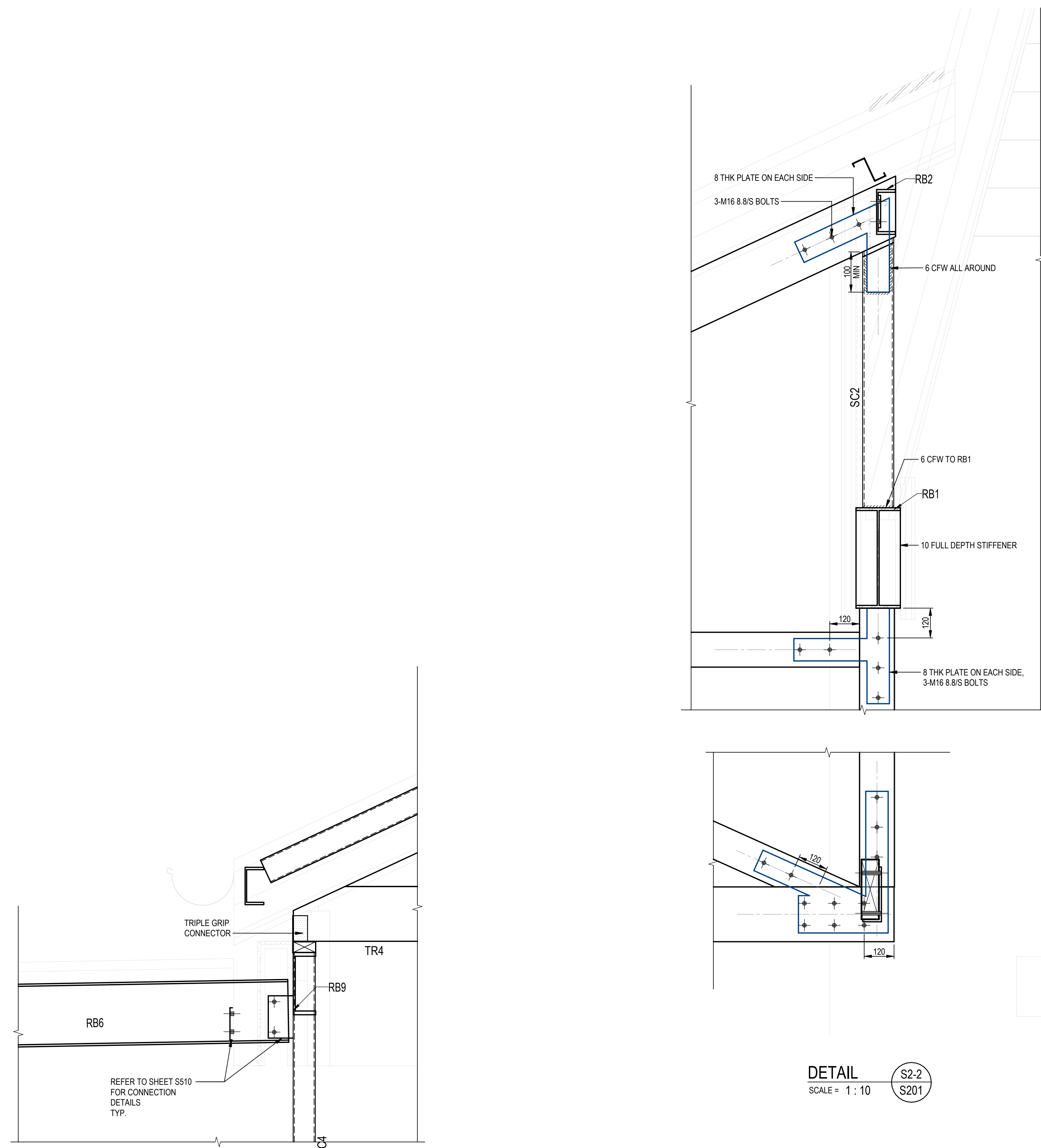
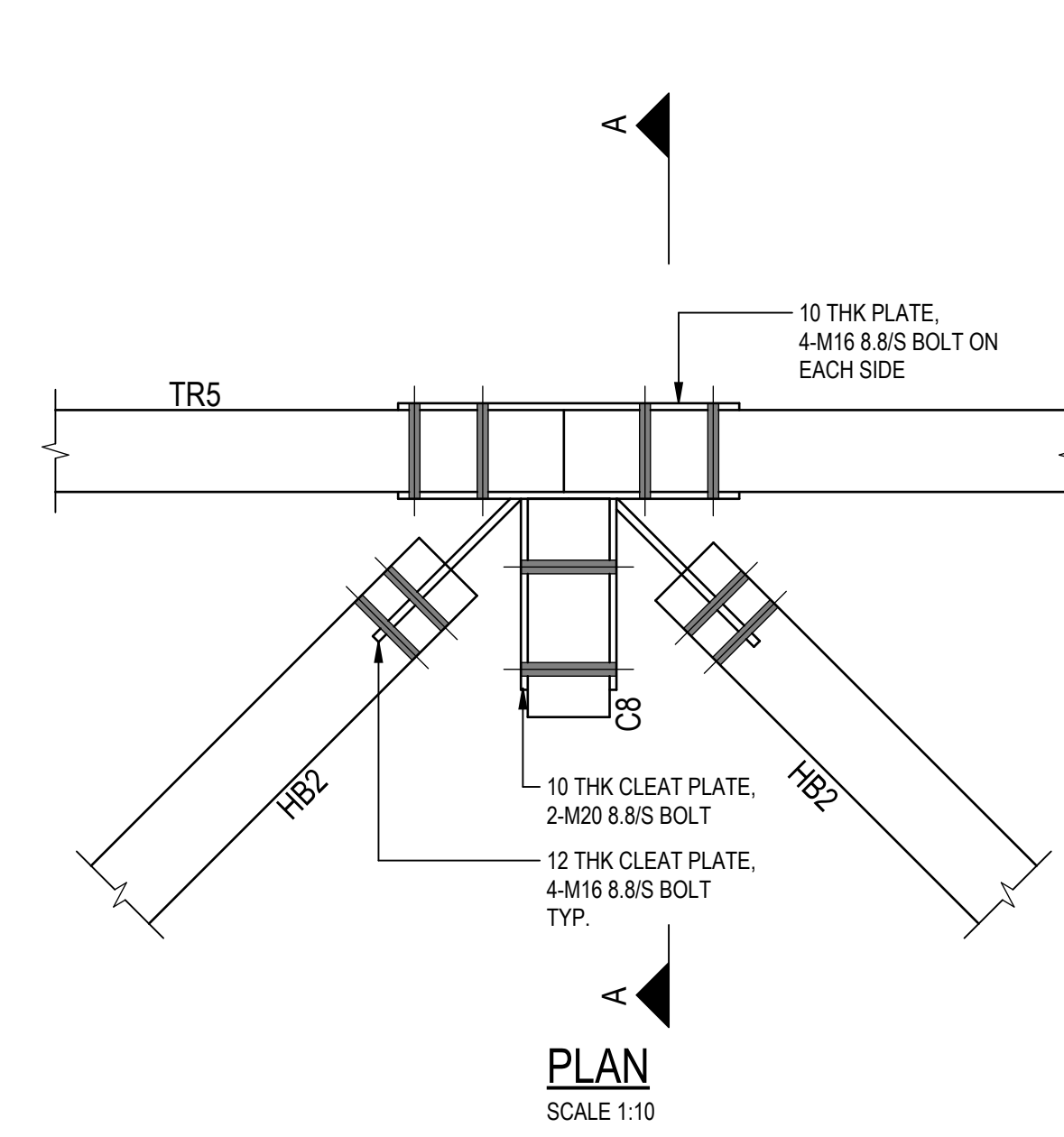


22/08/2024 3:01:26 PM C:\Users\eser.vural\mglic\macleod\Drawings\Structural Drawings\3891_[R2]023.rvt

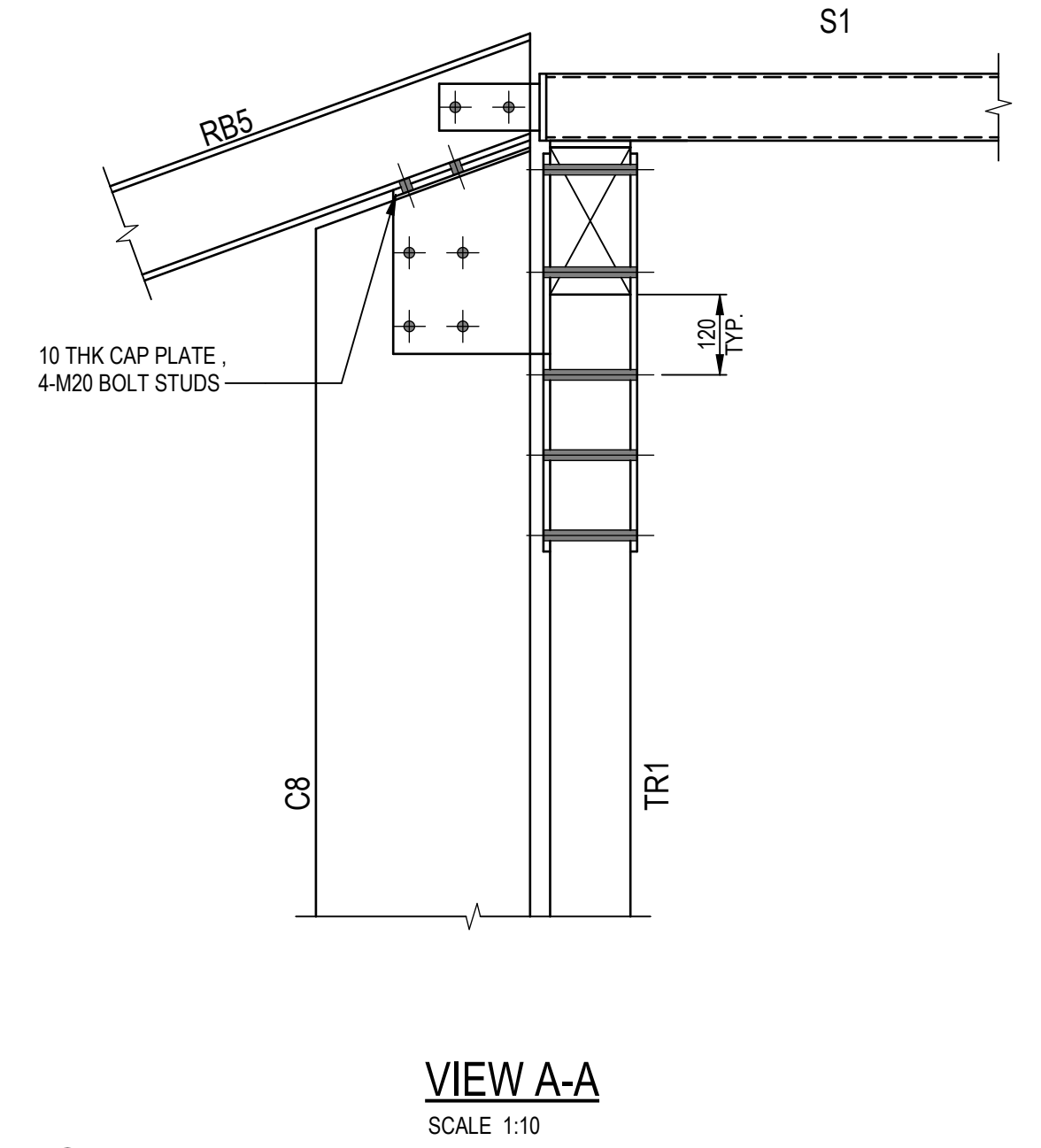


DETAIL S2-1
SCALE = 1 : 10

DETAIL S2-2
SCALE = 1 : 10

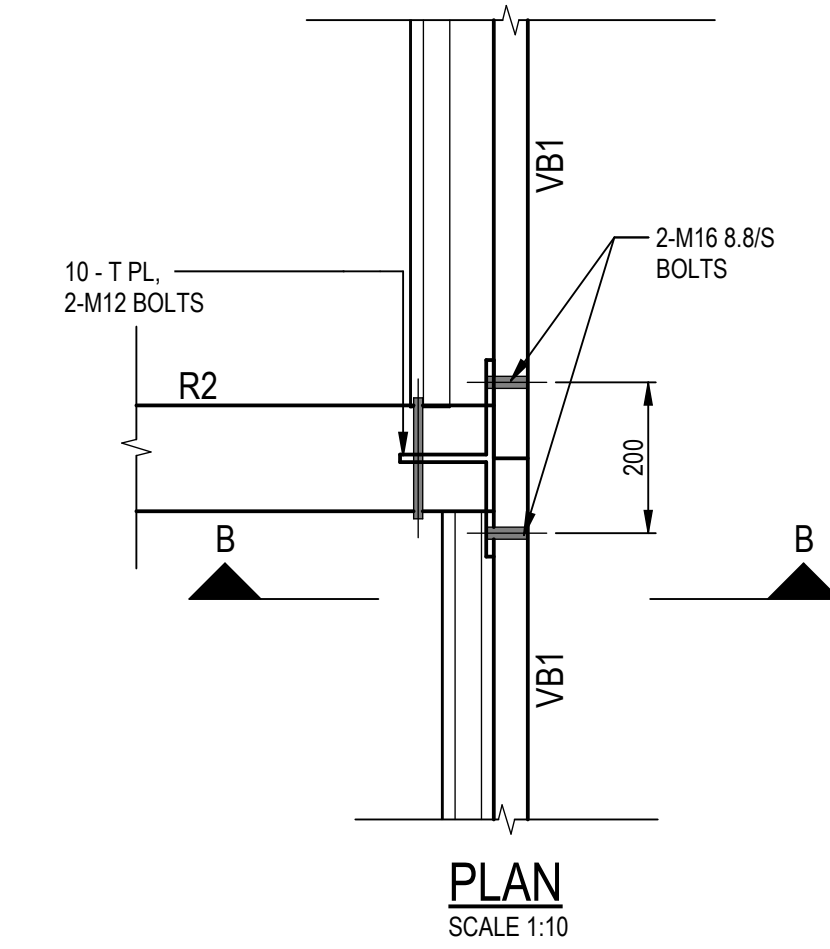


PLAN SCALE 1:10

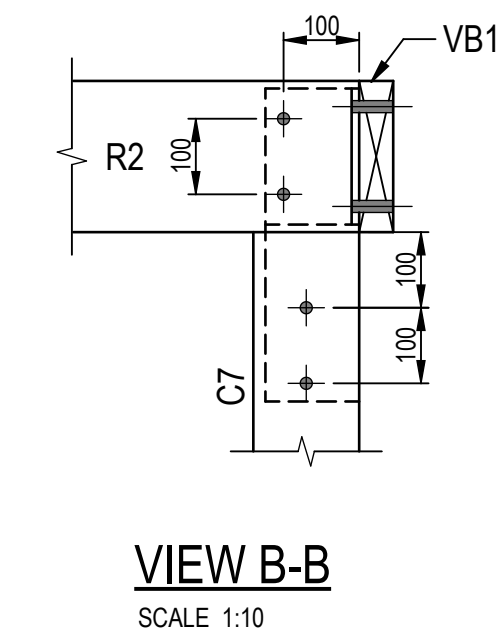


VIEW A-A SCALE 1:10

DETAIL RD1
SCALE = 1 : 10

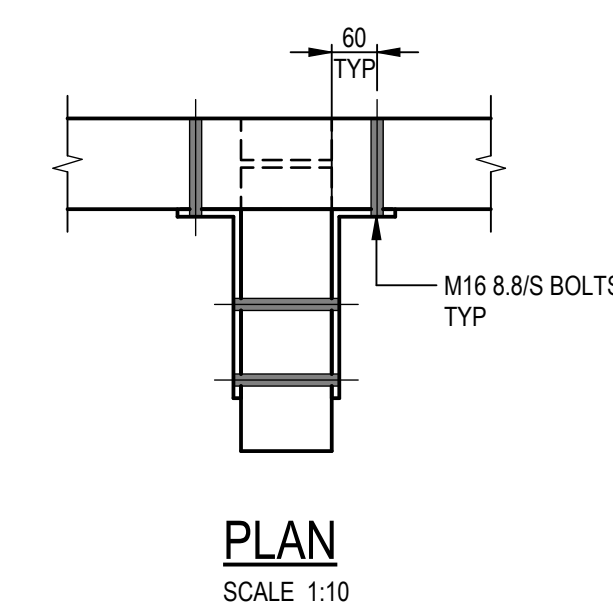


PLAN SCALE 1:10

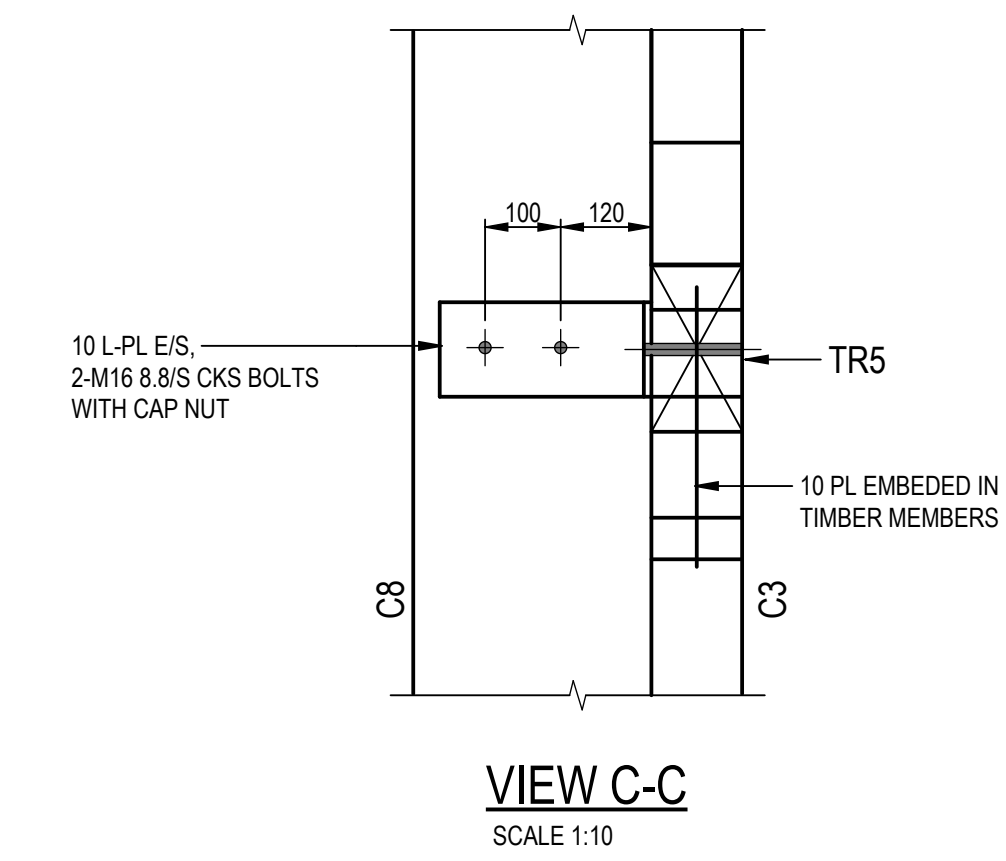


VIEW B-B SCALE 1:10

DETAIL RD2
SCALE = 1 : 10



PLAN SCALE 1:10



VIEW C-C SCALE 1:10

DETAIL RD3
SCALE = 1 : 10

Issue	Description	Drwn	Chkd	Appd	Date
T1	TENDER	E.V.	A.Y.	D.E.	19.08.24
PT1	PRE-TENDER	E.V.	A.Y.	D.E.	05.08.24

Client: **PMDL** **mcglashan everist**
pmdl-mea.com.au
PHDL ARCHITECTURE + DESIGN (A/C 1419183)
PHDL ARCHITECTURE + DESIGN PTY LTD ABN 56 042 963 817

Project: **THE SCOTS JUNIOR SCHOOL ALBURY**
393 PERRY STREET, ALBURY NSW 3640
Title: **FRAMING SECTIONS AND DETAILS - SHEET 3**

Designed by: **A.YONG**
Drawn by: **E.VURAL**
Date: **12.04.24**
Scale: **1 : 10** @ **A0**
Status: **TENDER**

MIGLIC MACLEOD
SHAPING THE BUILT ENVIRONMENT
Level 5, 468 St Kilda Road, Melbourne, VIC 3004
T 1300 30 40 79
W mglicmacleod.com.au

Project No: 3891	Drawing No: S213	Rev: T1
-------------------------	-------------------------	----------------