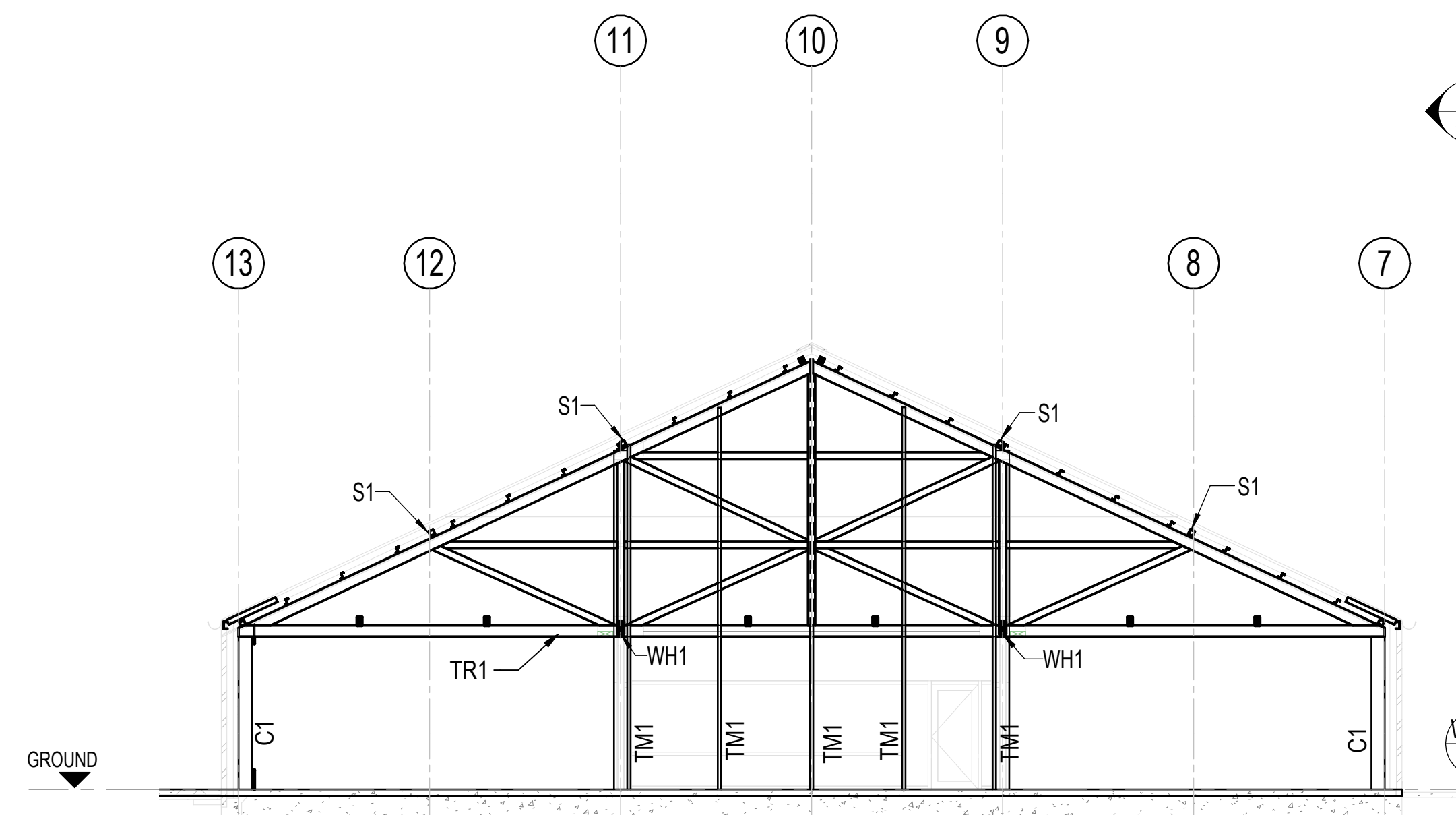
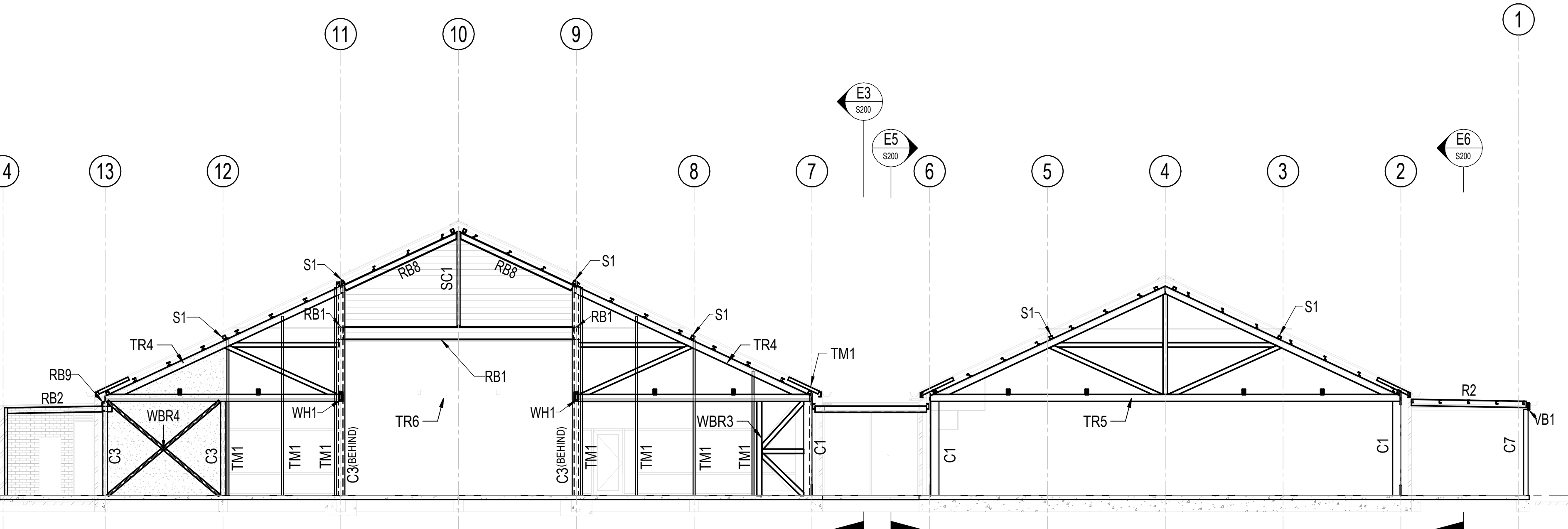


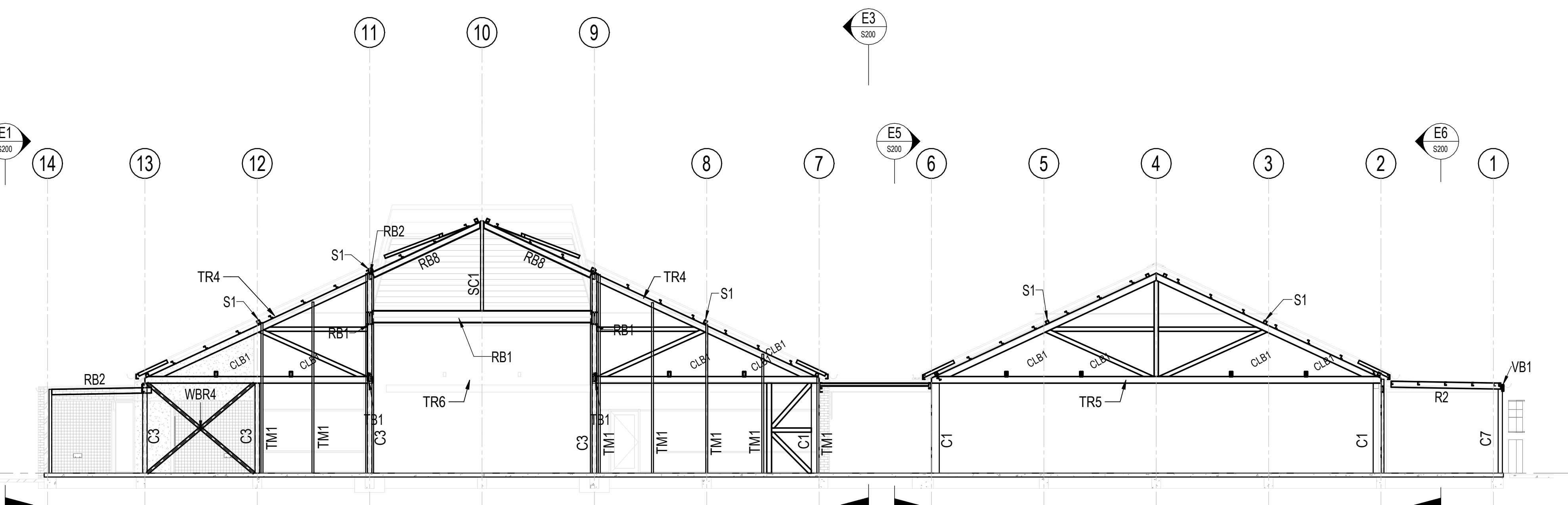
SECTION S7
SCALE = 1 : 100
S150



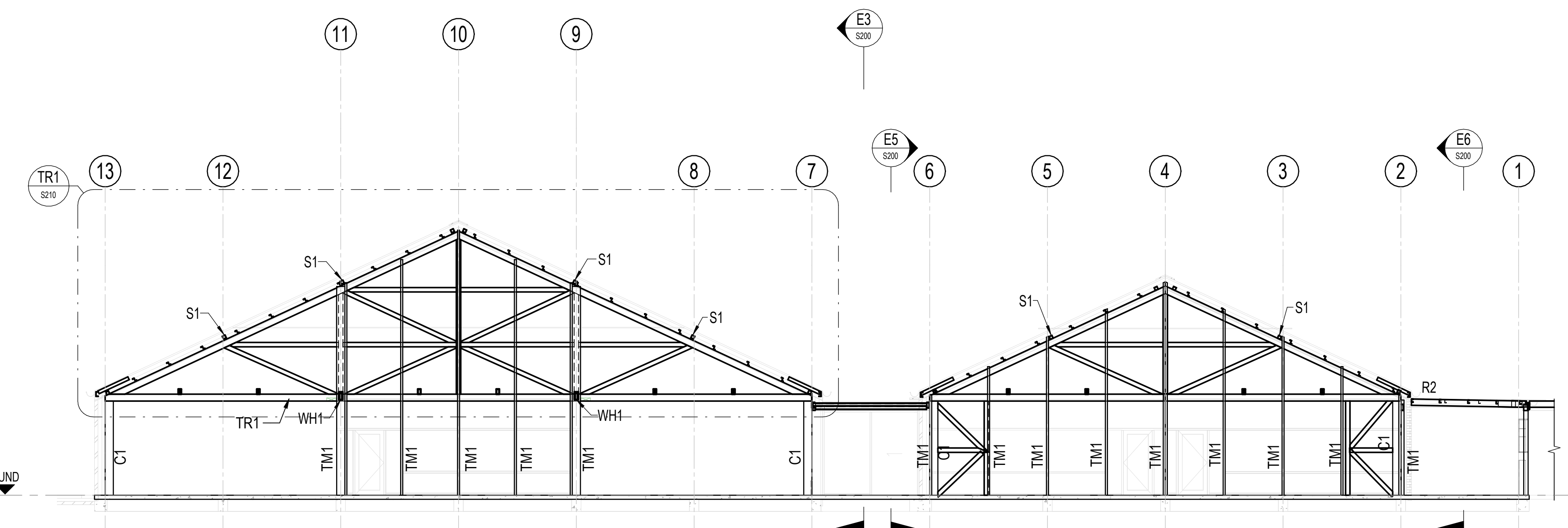
SECTION S8
SCALE = 1 : 100
S150



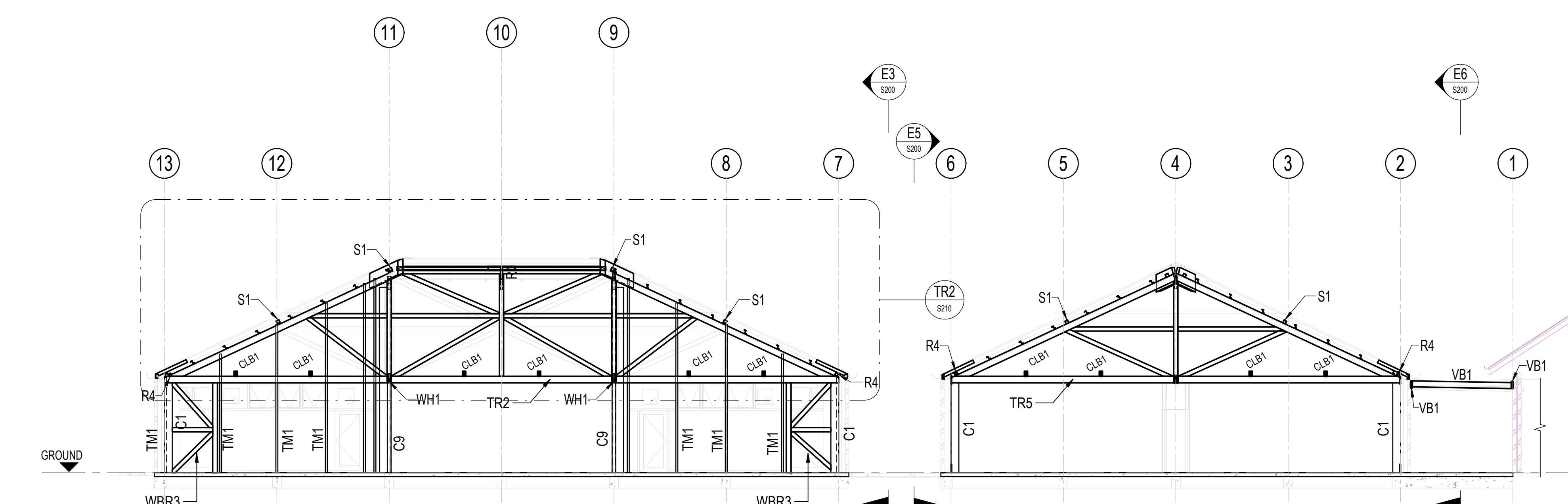
SECTION S9
SCALE = 1 : 100
S150



SECTION S10
SCALE = 1 : 100
S150



SECTION S11
SCALE = 1 : 100
S150



SECTION S12
SCALE = 1 : 100
S150

22/08/2024 3:01:21 PM C:\Users\eser.vural\mglic\macloed\MM-3891 Scots Albany Junior School Precinct - AKPS2 Mfglic Macloed Drawings\Structural Drawings\3891_R2\2023.rvt

Issue	Description	Drawn	Chkd	Appd	Date
T1	TENDER	E.V.	A.Y.	D.E.	19.08.24
PT1	PRE-TENDER	E.V.	A.Y.	D.E.	05.08.24
DD1	DESIGN DEVELOPMENT	E.V.	A.Y.	D.E.	19.06.24

Client
PMDL
mcglashan everist
pmdl-mea.com.au

Project
THE SCOTS JUNIOR SCHOOL ALBURY
393 PERRY STREET, ALBURY NSW 3640

Type
FRAMING SECTIONS AND ELEVATIONS - SHEET 3

Designed by: A.YONG
Drawn by: E.VURAL
Date: 12.04.24
Scale: 1:100 @ A0
Status: TENDER

Project No: 3891
Drawing No: S202
Rev: T1

MIGLIC MACLEOD
SHAPING THE BUILT ENVIRONMENT
Level 5, 468 St Kilda Road, Melbourne, VIC 3004
T 1300 30 40 79
W mglicmacloed.com.au