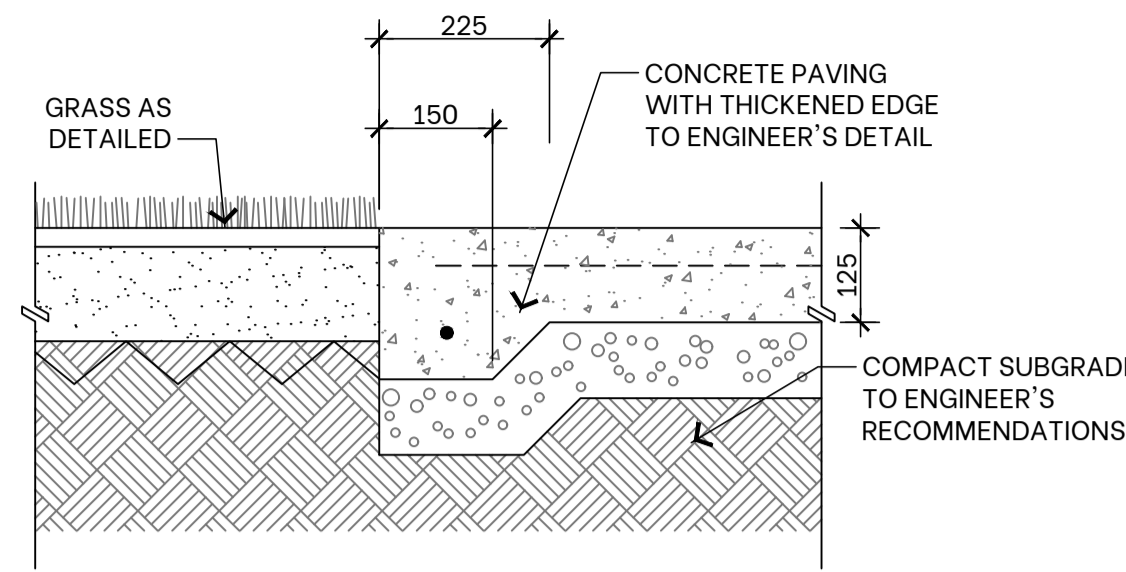
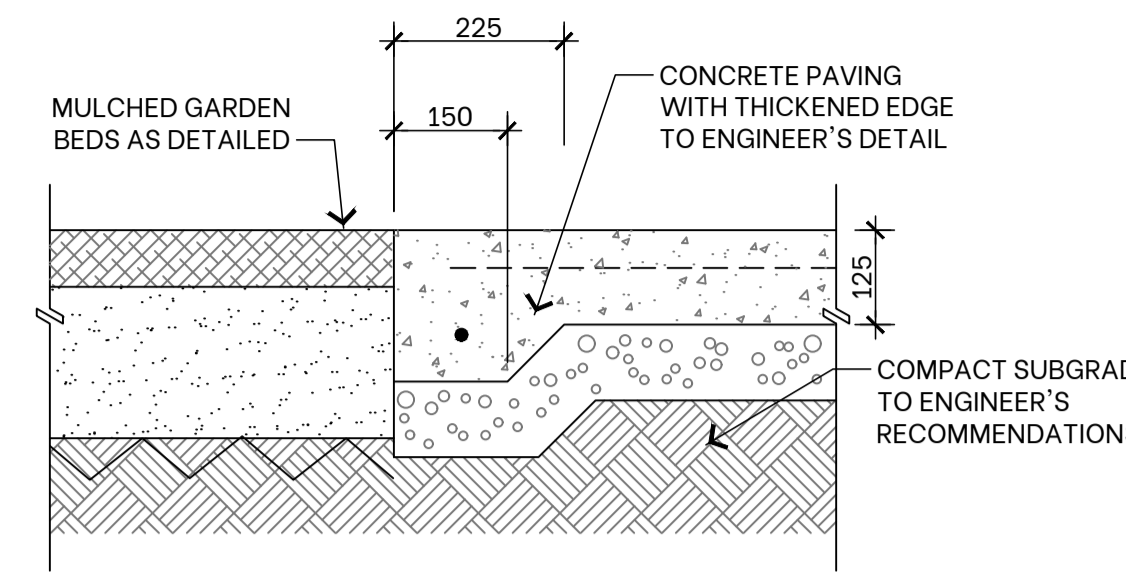


CONCRETE PAVING  
TYPICAL SECTION 1:10 @ A1



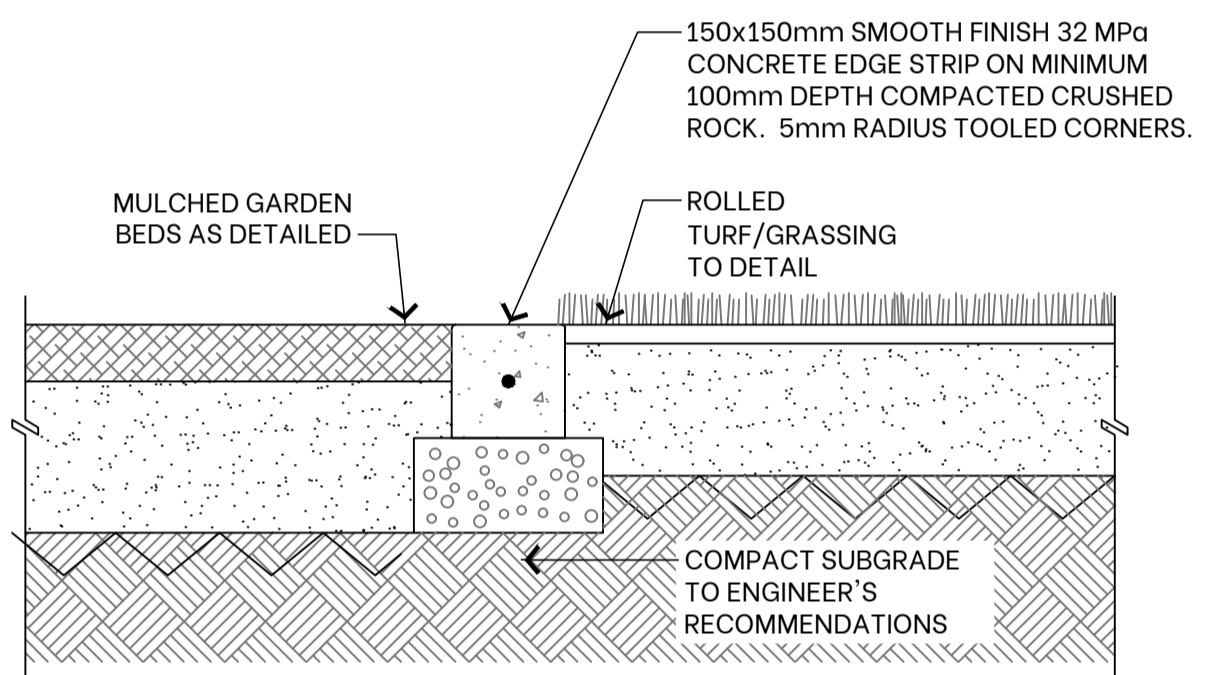
CONCRETE PAVING TO GRASS  
TYPICAL SECTION 1:10 @ A1



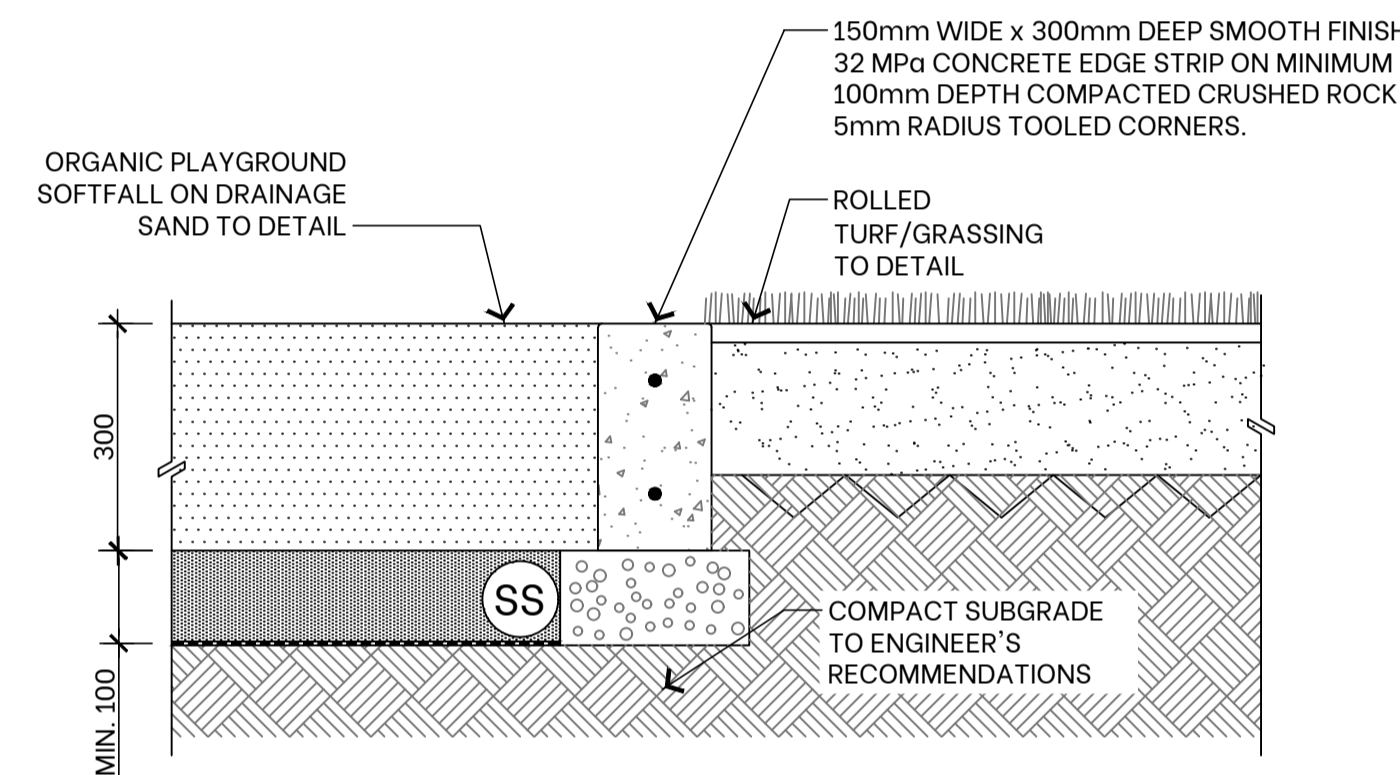
CONCRETE PAVING TO MULCHED GARDEN BEDS  
TYPICAL SECTION 1:10 @ A1

REINFORCING & JOINTING NOTES:  
2 x 12mm DEFORMED STEEL RODS PLACED CENTRALLY, TOOLED OR SAWN CONTROL JOINTS AT 2m CENTRES. EXPANSION JOINT AT 6m CENTRES.

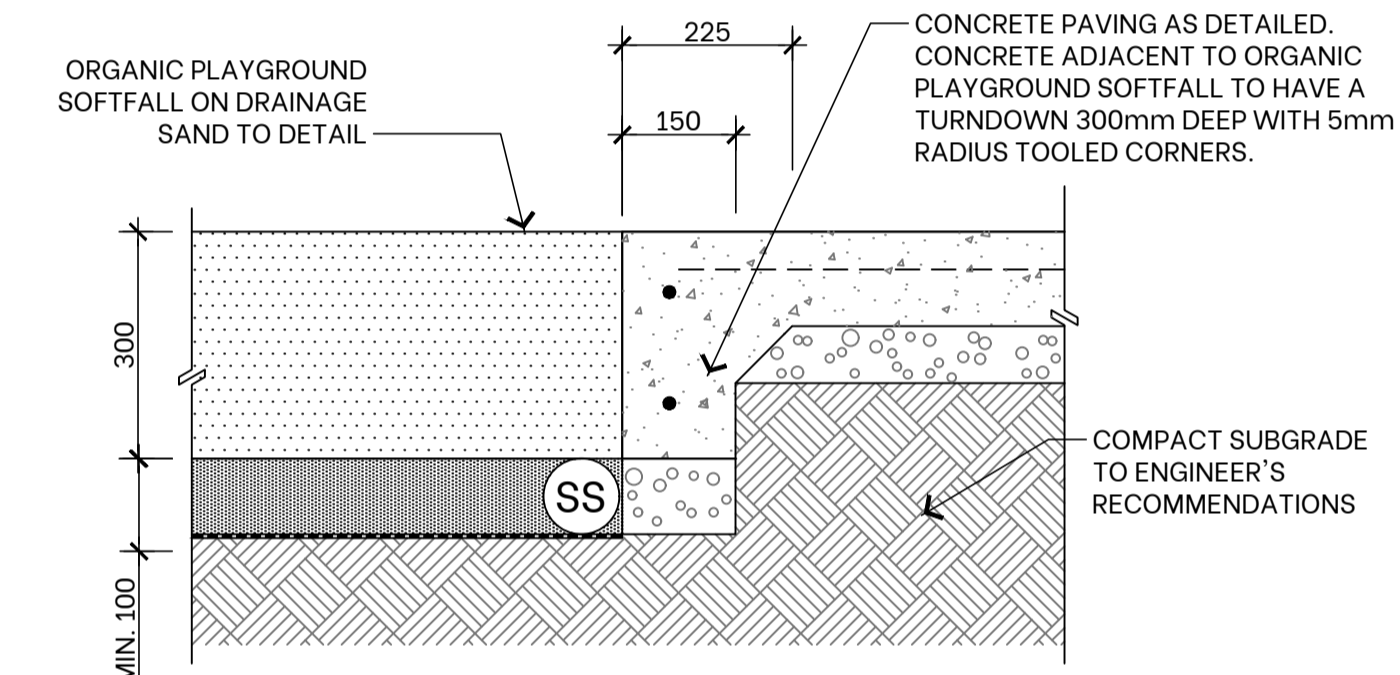
REINFORCING & JOINTING NOTES:  
12mm DEFORMED STEEL ROD PLACED CENTRALLY, TOOLED OR SAWN CONTROL JOINTS AT 2m CENTRES. EXPANSION JOINT AT 6m CENTRES.



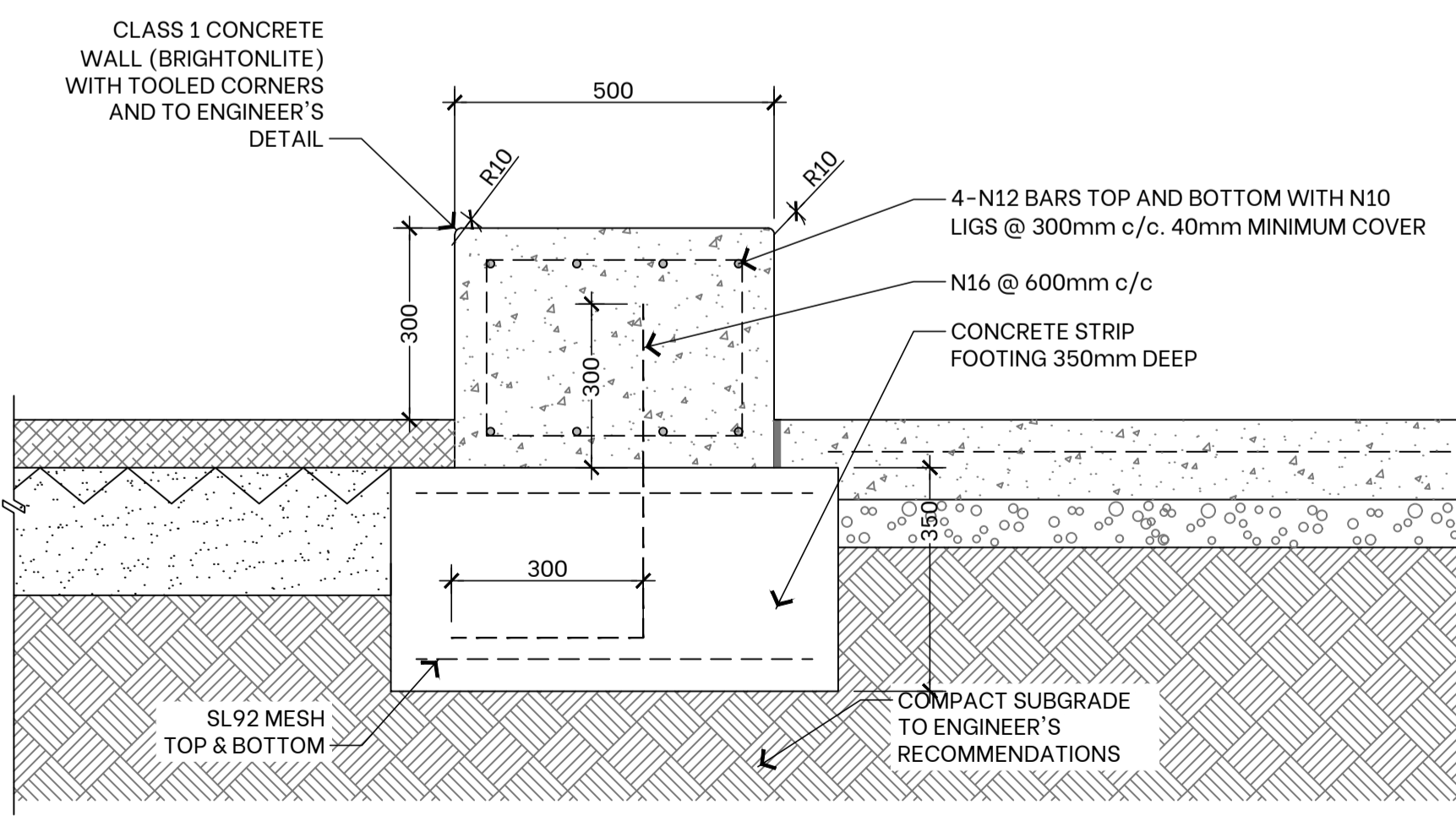
CONCRETE EDGE - 150mm DEEP  
TYPICAL SECTION 1:10 @ A1



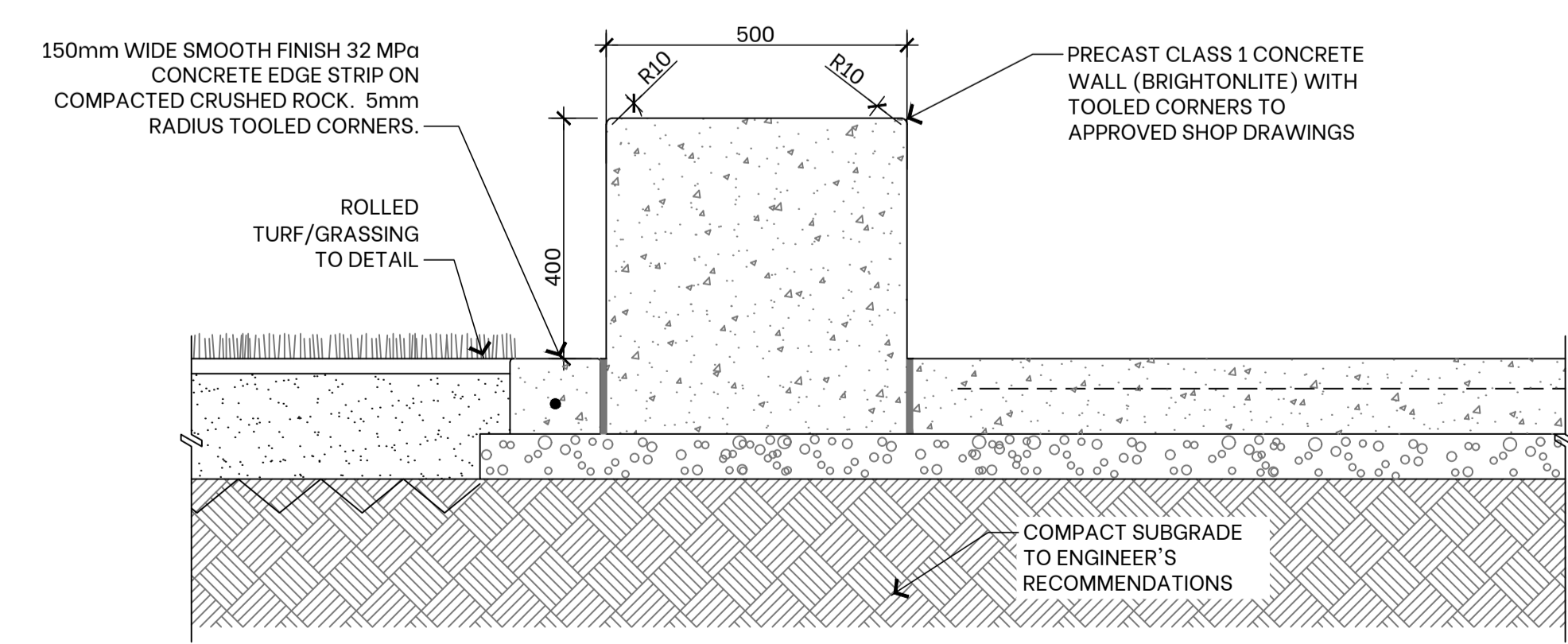
CONCRETE EDGE - 300mm DEEP  
TYPICAL SECTION 1:10 @ A1



CONCRETE TURNDOWN TO PLAYGROUND SOFTFALL  
TYPICAL SECTION 1:10 @ A1



CONCRETE WALL - INSITU  
TYPICAL SECTION 1:10 @ A1



CONCRETE WALL - PRECAST  
TYPICAL SECTION 1:10 @ A1

Revision	Revision Date	Revision Description	Issued By
A	17/07/2024	DRAFT TENDER ISSUE FOR REVIEW	TMW
B	29/07/2024	CLIENT REVIEW	TMW
C	06/08/2024	FINAL TENDER DOCUMENTATION	TMW

**yonder.**

PO Box 1198 Albury NSW 2640  
M 0423 811308  
E fiona@yonderstudio.com.au  
www.yonderstudio.com.au  
ABN 68 437 343 209

Client **THE SCOTS SCHOOL ALBURY**  
Project **JUNIOR SCHOOL PRECINCT  
393 PERRY STREET, ALBURY. NSW 2640**

Sheet Title **HARD LANDSCAPE DETAILS**

Drawing No **L-24006 LD01** **C**

Designed By FS/TW  
Drawn By TMW  
Reviewed By FS

