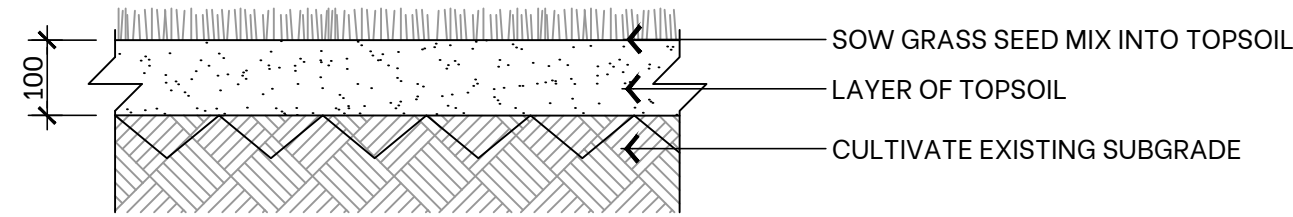
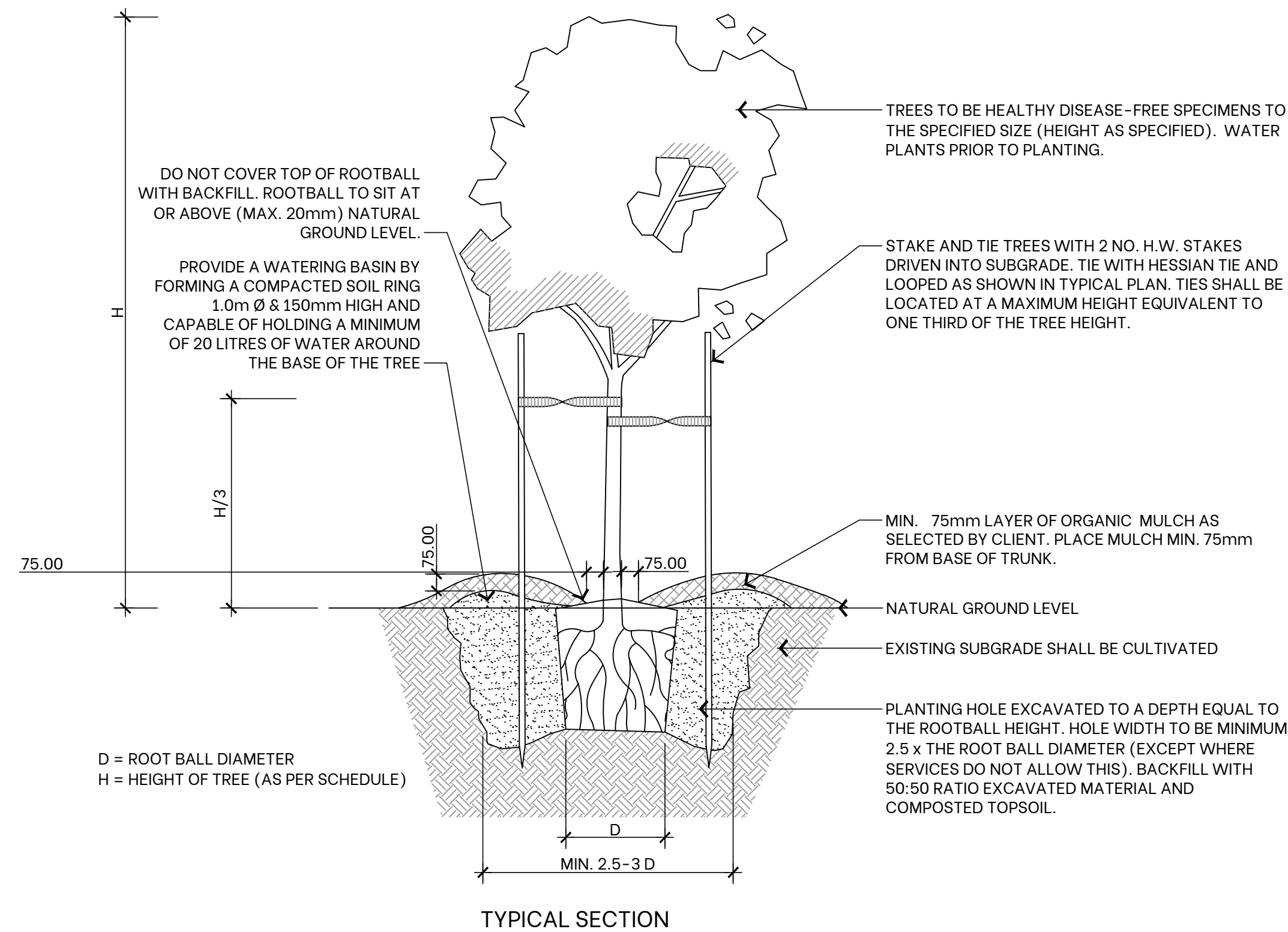
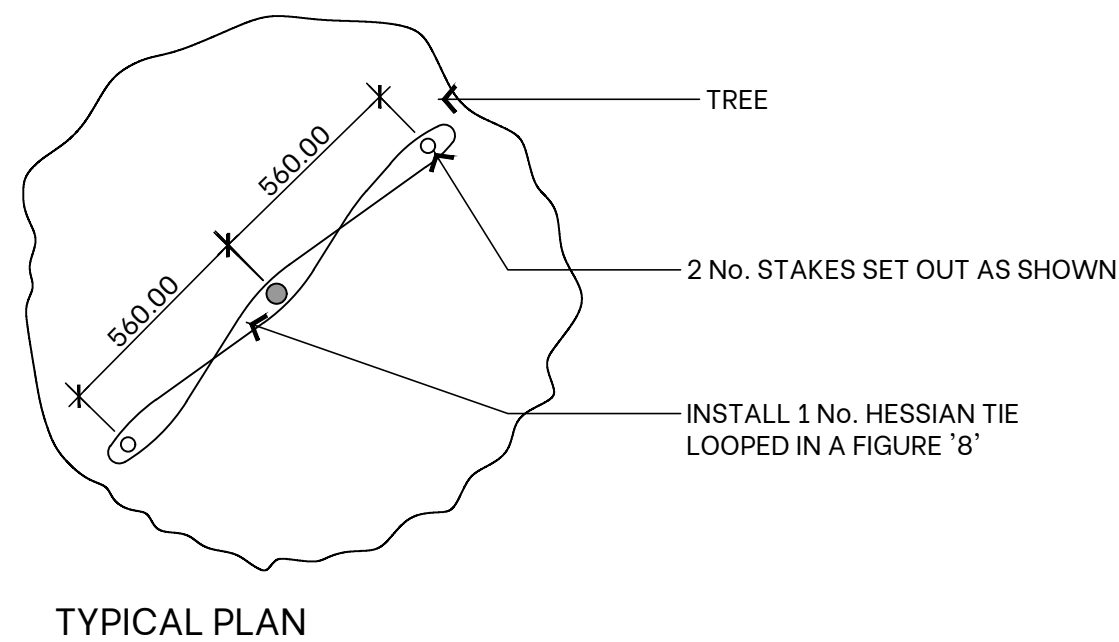


1 PLANTING IN MULCHED GARDEN BEDS
TYPICAL ELEVATION 1:10 @ A1

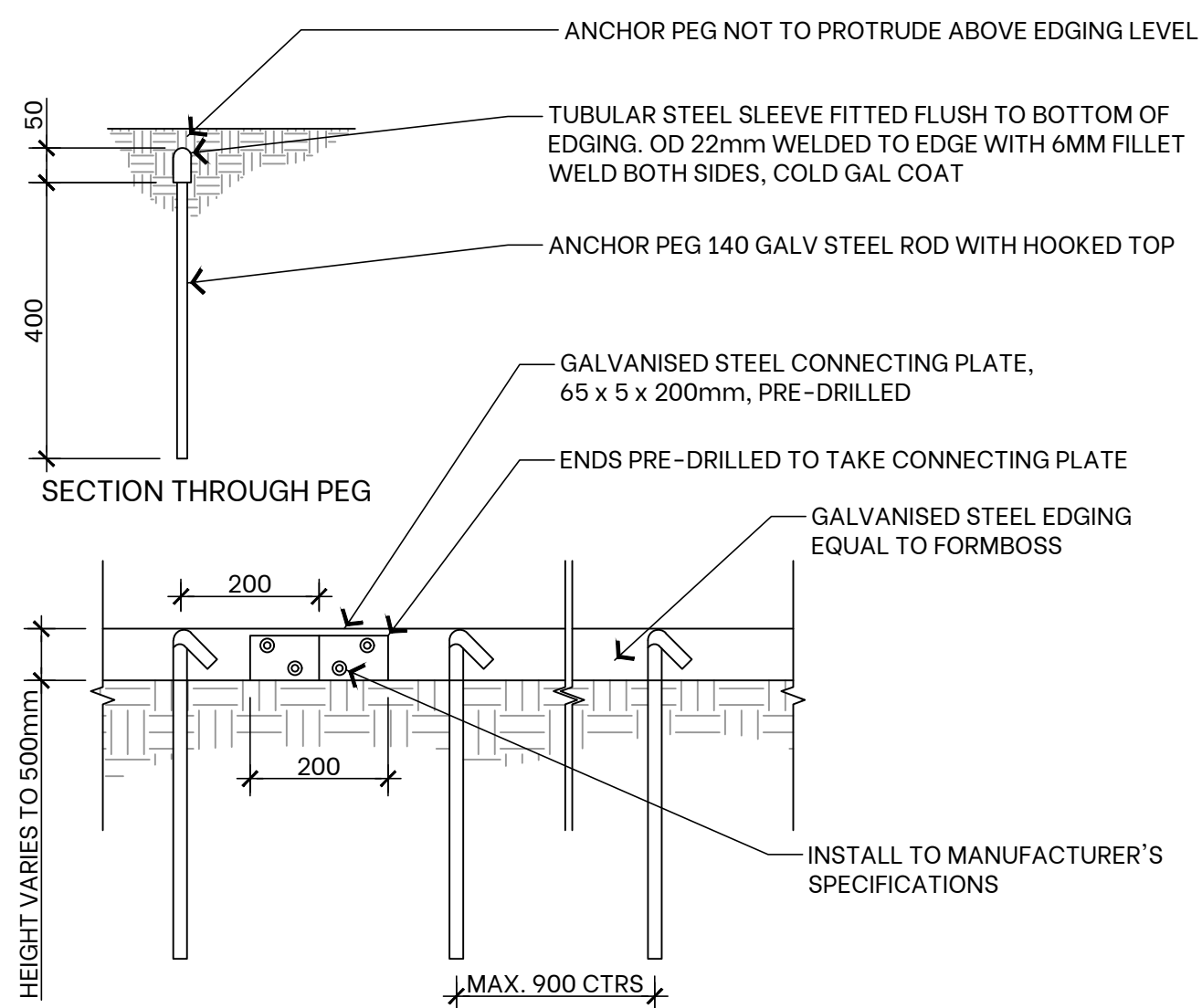
- NOTE
- EXISTING PASTURE GRASS AND/OR WEEDS ARE TO BE SPRAYED WITH APPROVED GLYPHOSATE HERBICIDE.
 - GRASSED BATTERS SHALL BE A MAXIMUM GRADE OF 1:6.
 - CULTIVATE SUBGRADE TO 100mm DEPTH.
 - SUPPLY AND SPREAD MINIMUM DEPTH OF 100mm DEPTH APPROVED IMPORTED TOPSOIL (SANDY-LOAM).
 - TOPSOIL TO BE RAKED TO A FINE TILTH. REMOVE ALL SURFACE ROCKS, LARGE LUMPS OF CLAY, WEEDS AND RUBBISH PRIOR TO SOWING.
 - SOW APPROVED GRASS SEED INTO TOPSOIL.
 - GRASS SEED MIX:
 - HARD FESCUE - 48% 135KG/HA
 - CREEPING RED FESCUE - 22% 60KG/HA
 - WHITE CLOVER - 5% 15KG/HA
 - KIKUYU - 10% 30KG/HA
 - FINE LEAF PERENNIAL RYEGRASS - 15% 40KG/HA
 - NEW GRASSED AREAS TO BE PROTECTED FROM TRESPASS AND TRAFFIC WITH STAR PICKETS AND BARRIER ROPE UNTIL GRASS IS ESTABLISHED.



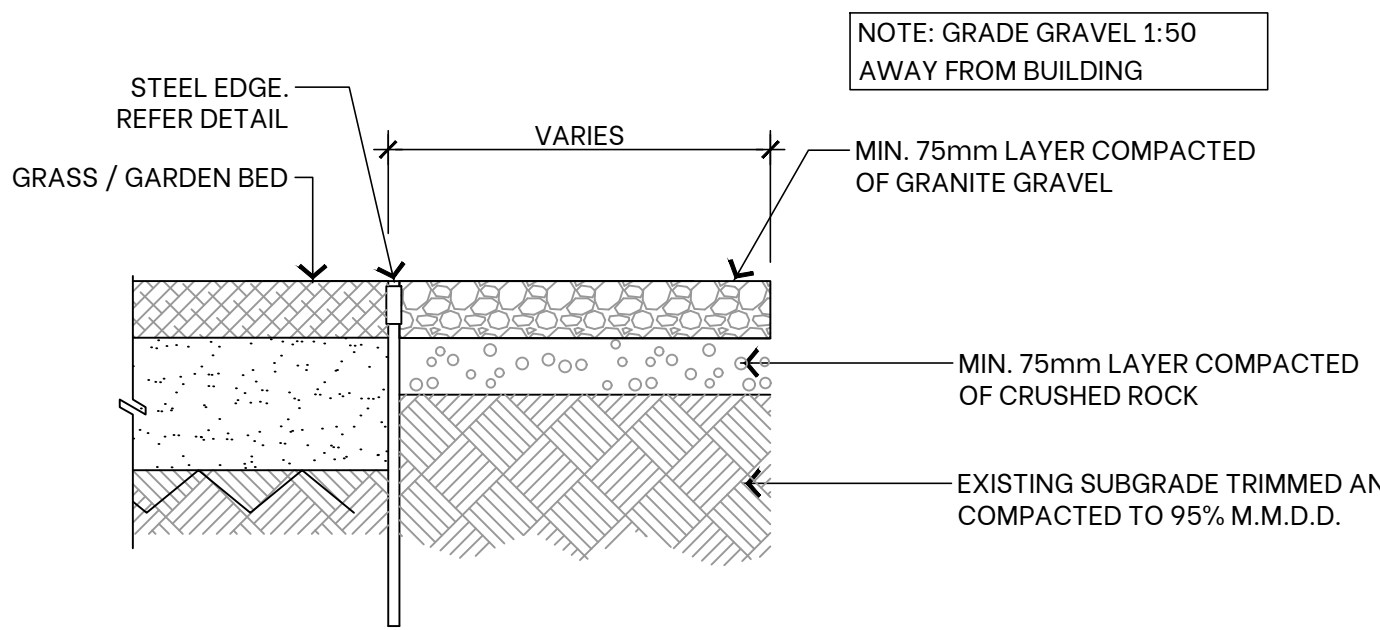
2 GRASS SEEDING TO MAKE GOOD EXISTING
TYPICAL ELEVATION 1:10 @ A1



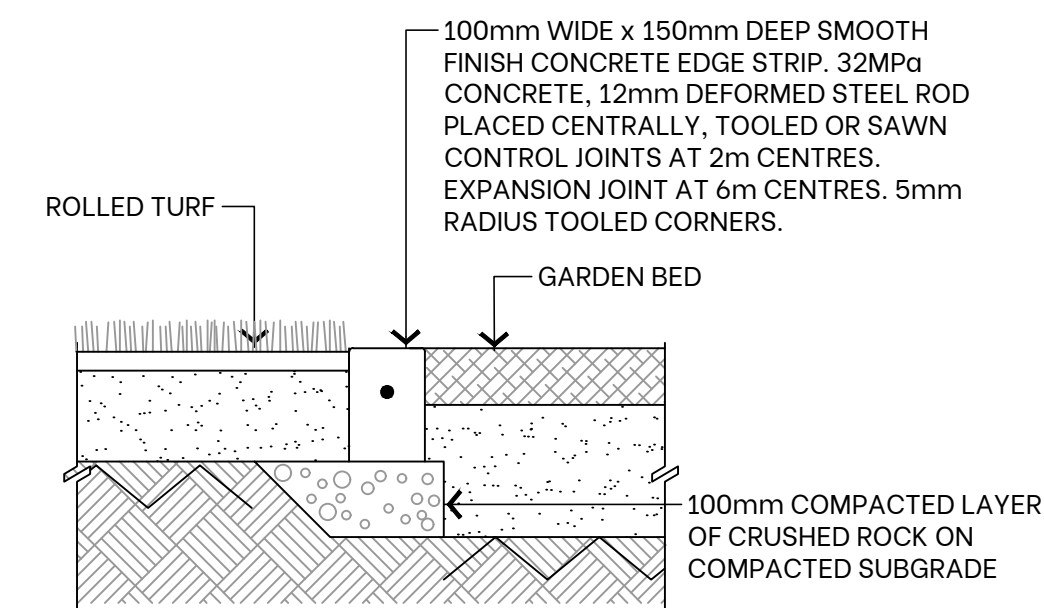
3 TREE PLANTING
TYPICAL SECTION 1:20 @ A1



4 STEEL EDGING
TYPICAL ELEVATION 1:10 @ A1



5 COMPACTED GRANITIC GRAVEL
TYPICAL SECTION 1:10 @ A1



6 CONCRETE EDGE
TYPICAL SECTION 1:10 @ A1

Revision	Revision Date	Revision Description	Issued By
A	24/05/2024	PRELIMINARY ISSUE FOR REVIEW	LL
B	29/05/2024	TENDER ISSUE	LL

yonder.

PO Box 1198 Albury NSW 2640
M 0451 913308
E fiona@yonderstudio.com.au
www.yonderstudio.com.au
ABN 68 437 343 209

Client	Liverpool Catholic Club
Project	THURGOONA COUNTRY CLUB Motel Refurbishment 1 EVESHAM PLACE, THURGOONA NSW 2640
Sheet Title	LANDSCAPE DETAILS

Drawing No	DWG 24002 LD03	B
Designed By	FS	
Drawn By	LL	
Reviewed By	FS	
Scale		

AS SHOWN