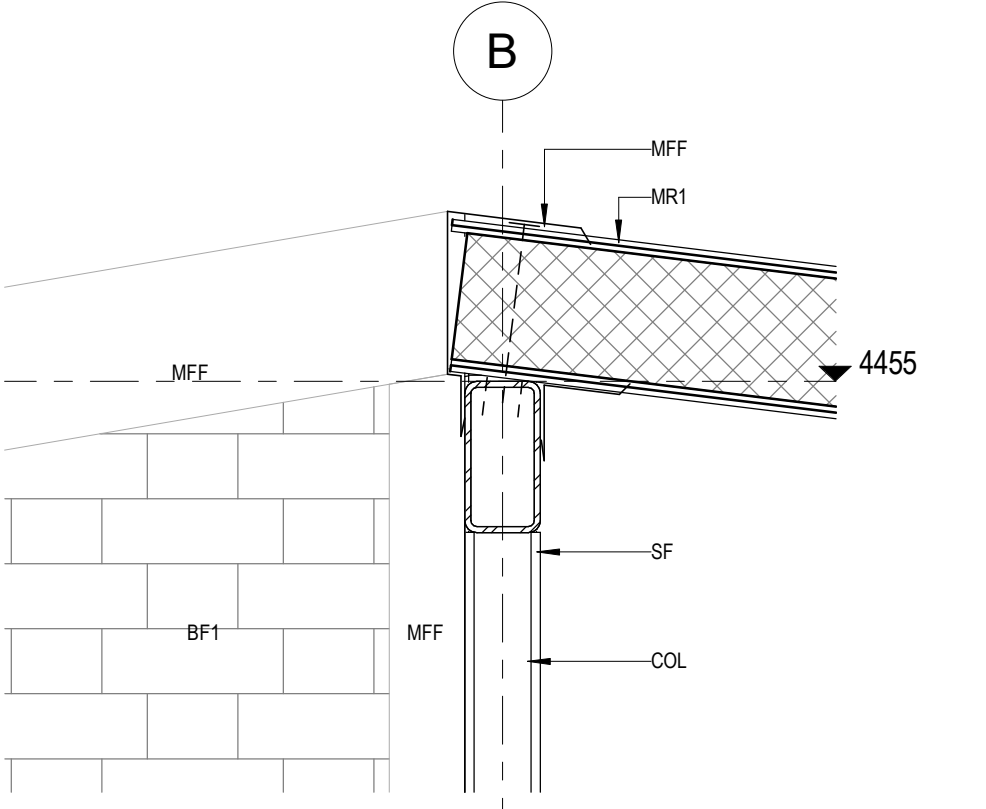
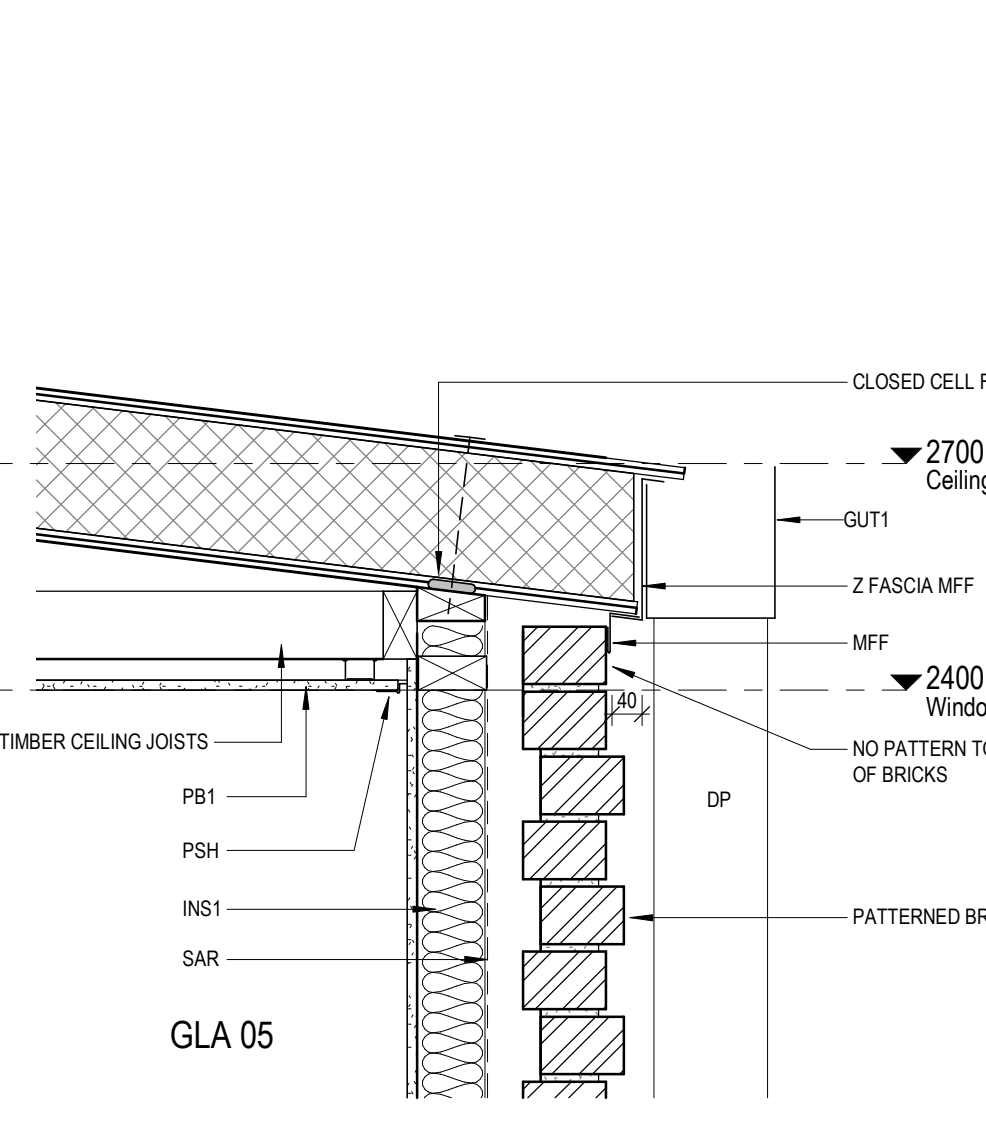


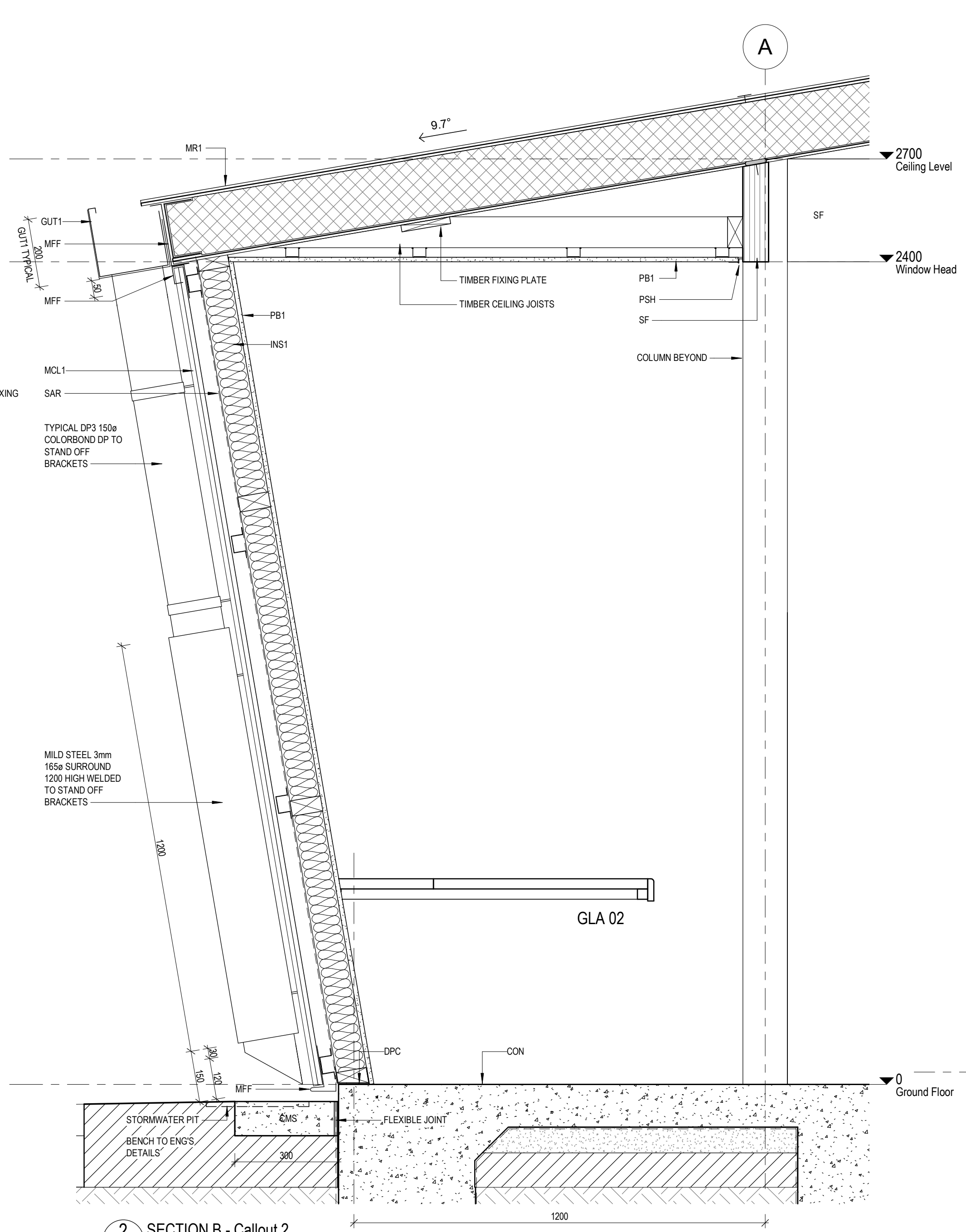
1 SECTION B - Callout 1
A205 SCALE 1:10



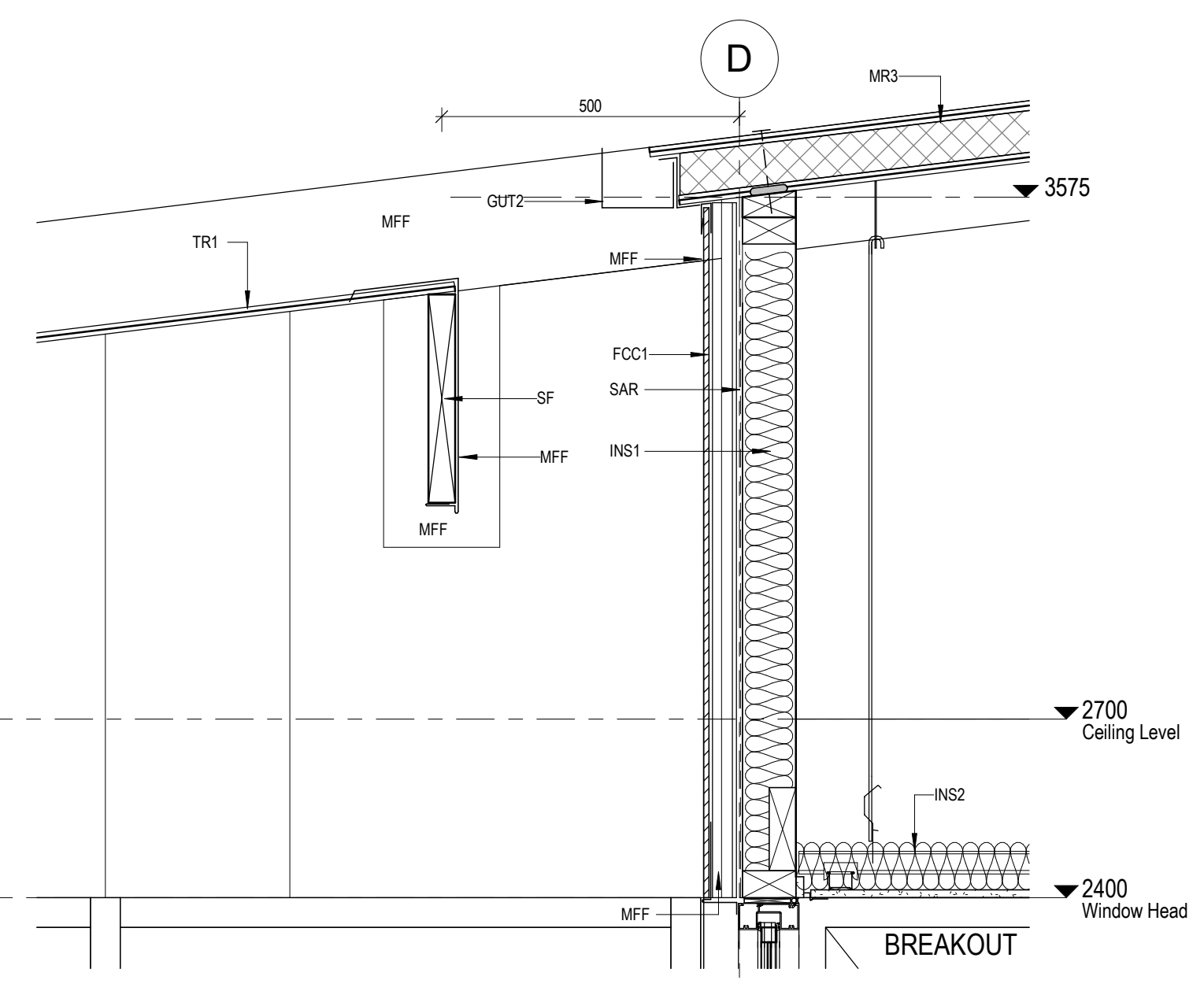
7 Section 3
A201 SCALE 1:10



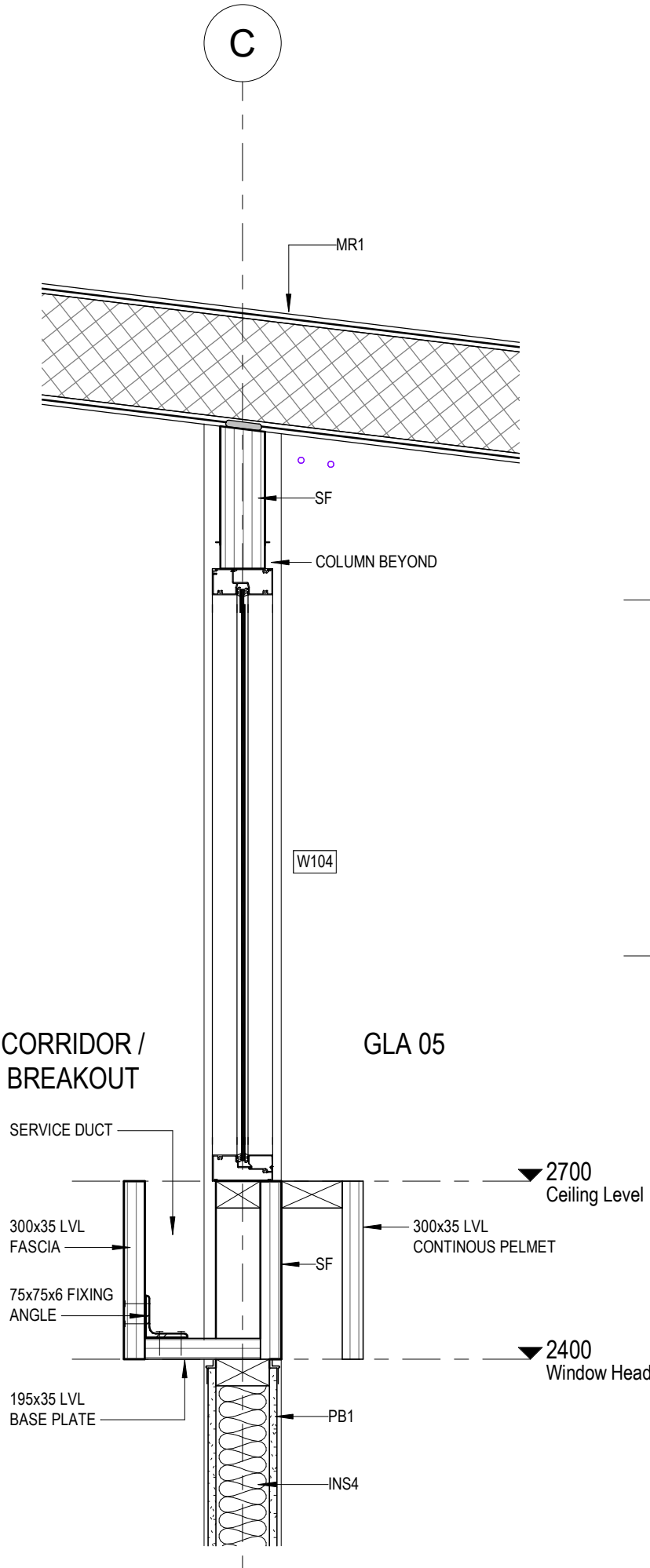
4 SECTION B - Callout 4
A205 SCALE 1:10



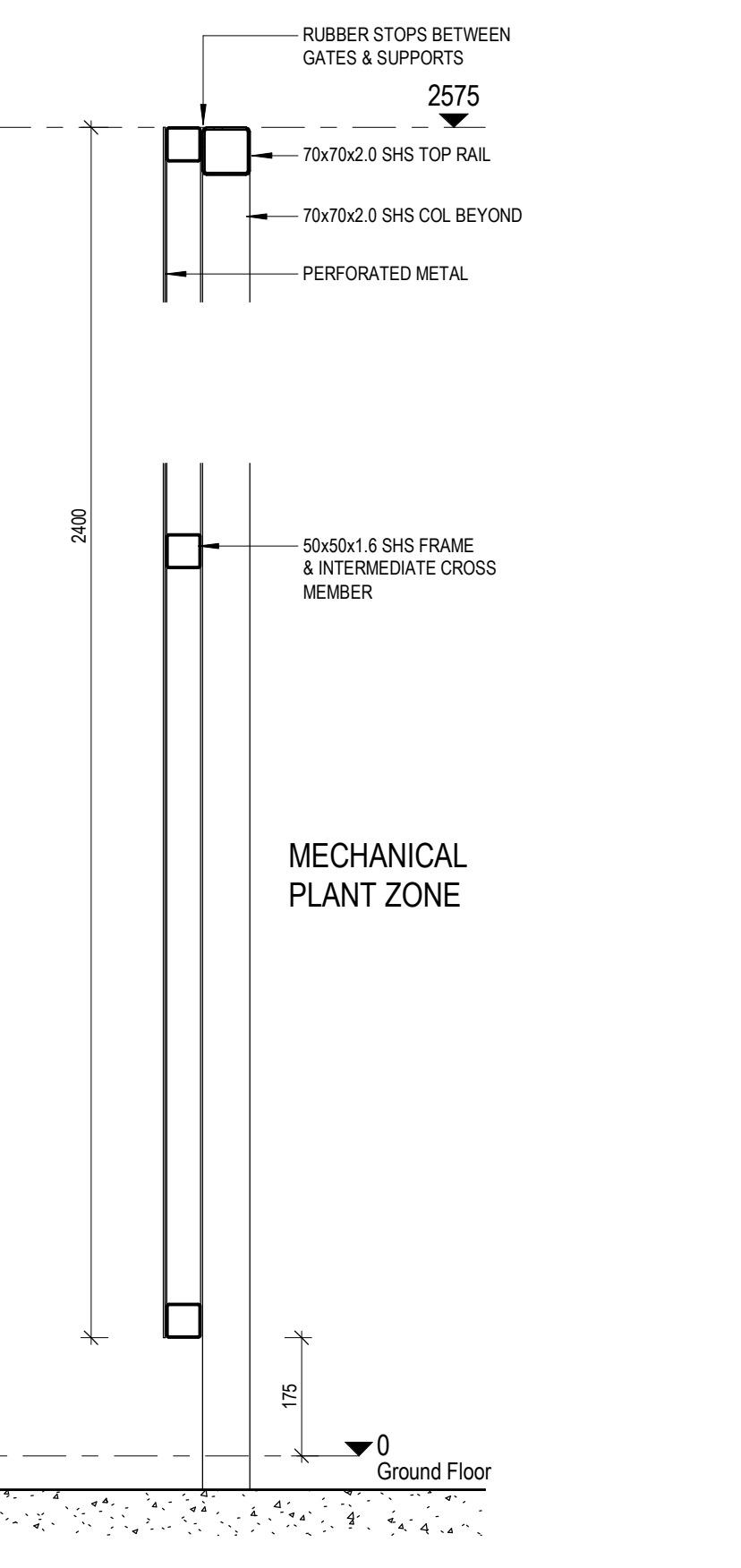
2 SECTION B - Callout 2
A205 SCALE 1:10



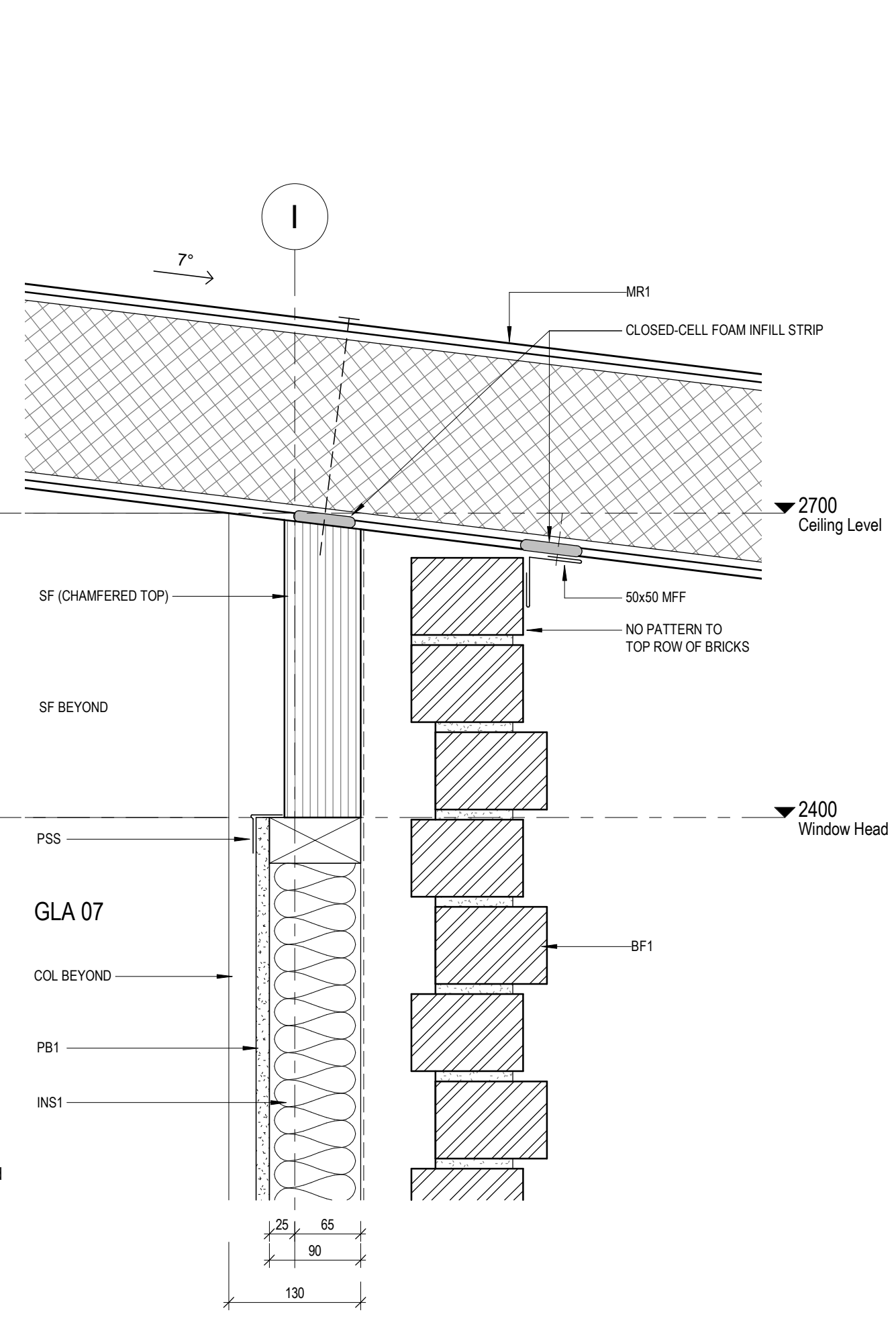
5 SECTION C - Callout 1
A205 SCALE 1:10



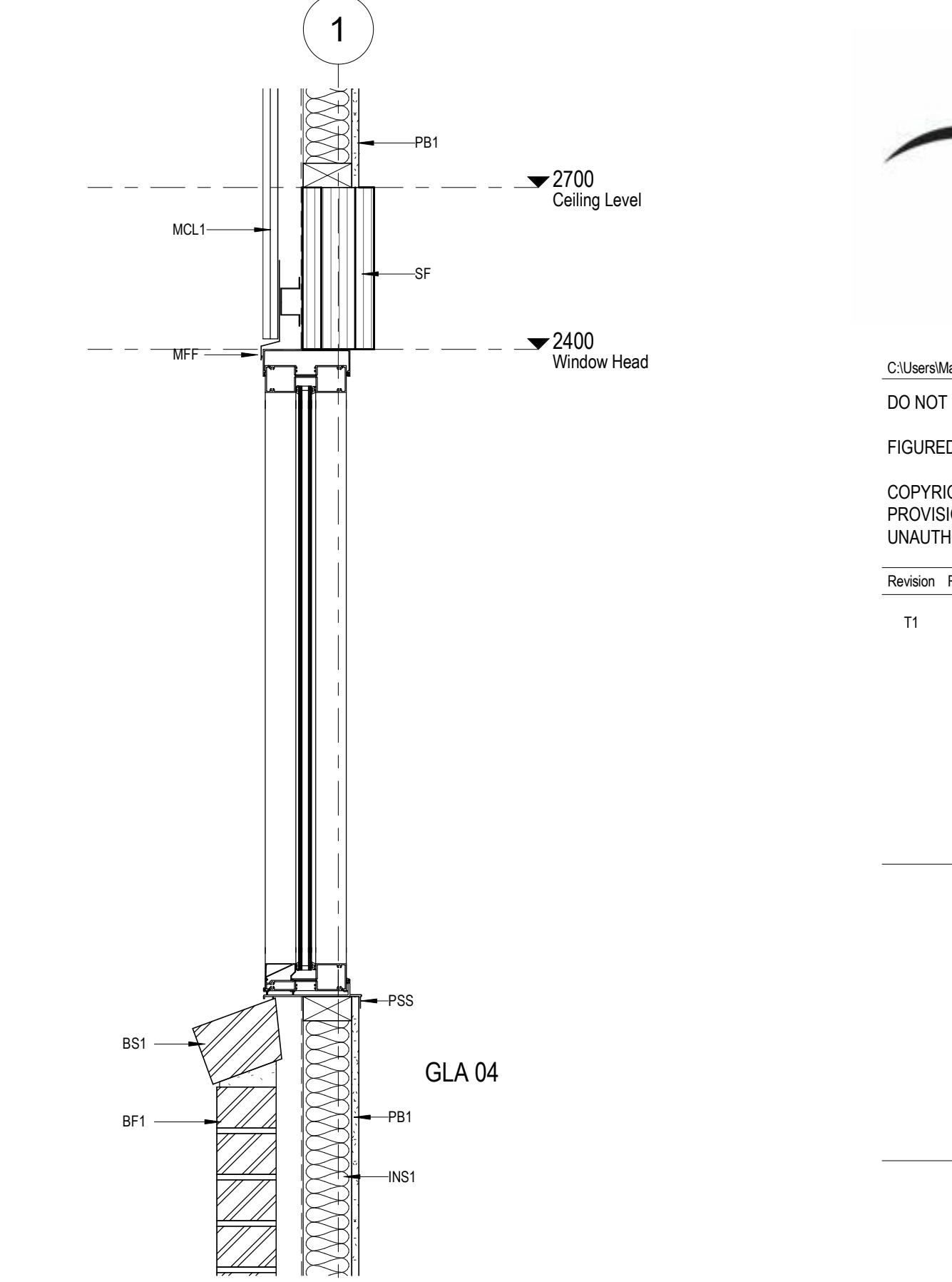
3 SECTION B - Callout 3
A205 SCALE 1:10



6 SECTION D - Callout 1
A206 SCALE 1:10



8 SECTION D - Callout 2
A206 SCALE 1:5



9 BRICK SILL DETAIL
A103 SCALE 1:10

Keynote Legend Copy 2		Keynote Legend Copy 2	
Key Value	Keynote Text	Key Value	Keynote Text
BF1	BRICK FACE-TYPE 1	MF2	METAL FOLDED FLASHING-TYPE 2
BF2	BRICK FACE-TYPE 2	MIR	MIRROR
BS1	BRICK SILL-TYPE 1	MR1	METAL ROOFING-TYPE 1
CJ	CONTROL JOINT	MR2	METAL ROOFING-TYPE 2
CMS	CONCRETE MOWING STRIP	MR3	METAL ROOFING-TYPE 3
COL	COLUMN	PB1	PLASTERBOARD-TYPE 1
CON	CONCRETE SLAB	PIN	PIN BOARD
CPS	CONCRETE PAVING SLAB	PIN1	PIN BOARD-TYPE 1
CPT1	CARPET-TYPE 1	PLY1	PLY LINING-TYPE 1
CVS	COVERED VINYL SKIRTING	PSH	PLASTER SHADOW LINE MOULD
DD	DISPENSER	PSS	PLASTER SQUARE SET MOULD
DIP	DISPENSER PAPER TOWEL	PT1	PAINT FINISH 1
DIS	DISPENSER SOAP	PT2	PAINT FINISH 2
DIT	DISPENSER TOILET PAPER	PT3	PAINT FINISH 3
DP	DOWNPIPE	PT4	PAINT FINISH 4
DP1	DOWNPIPE-TYPE 1	PT6	PAINT FINISH 6
DP2	DOWNPIPE-TYPE 2	RS1	RESILIENT SHEET-TYPE 1
DP3	DOWNPIPE-TYPE 3	RS2	RESILIENT SHEET-TYPE 2
DP4	DOWNPIPE-TYPE 4	RS3	RESILIENT SHEET-TYPE 3
DP5	DOWNPIPE-TYPE 5	RS4	RESILIENT SHEET-TYPE 4
DPC	DAMP PROOF COURSE	RS5	RESILIENT SHEET-TYPE 5
DPS	DOWNPIPE-SPREADER	RWH	RAIN WATER HEAD
EM	ENTRY MAT	SAR	SARKING
FCC1	FIBRE CEMENT SHEET CLADDING-TYPE 1	SF	STRUCTURAL FRAMING
FCC2	FIBRE CEMENT SHEET CLADDING-TYPE 2	TFB	TIMBER FIXING BATTEN
FES	FEATHER EDGED SKIRTING	TIL1	TILES-TYPE 1
GBR	GRAB RAIL	TIL3	TILES-TYPE 3
GR2	GRAB RAIL-TYPE 2	TIL4	TILES-TYPE 4
GUT1	GUTTER-TYPE 1	TIM	TIMBER
GUT2	GUTTER-TYPE 2	TIM1	TIMBER-TYPE 1
GUT3	GUTTER-TYPE 3	TR1	TIMBER SKIRTING
HR1	HAND RAIL-TYPE 1	TSK	TIMBER SKIRTING
HWS	HOT WATER SERVICE	TSR	TIMBER SKIRTING
INS1	INSULATION-THERMAL WALL	TSR1	TRANSLUCENT SHEETING ROOF-TYPE 1
INS2	INSULATION-THERMAL CEILING	TV	TELEVISION
INS4	INSULATION-ACOUSTIC WALL	TWC1	TIMBER WALL CLADDING-TYPE 1
MC1	METAL SOFFIT CLADDING-TYPE 1	TWC2	TIMBER WALL CLADDING-TYPE 2
MCL1	METAL CLADDING-TYPE 1	VBC	VITRAPANEL CLADDING-TYPE 1
MCL2	METAL CLADDING-TYPE 2	VBC1	VITRAPANEL CLADDING-TYPE 1
MCL3	METAL CLADDING-TYPE 3	VBC2	VITRAPANEL CLADDING-TYPE 2
MFF	METAL FOLDED FLASHING	VBC3	VITRAPANEL CLADDING-TYPE 3
MF1	METAL FOLDED FLASHING-TYPE 1	VBC4	VITRAPANEL CLADDING-TYPE 4
		VBC5	VITRAPANEL CLADDING-TYPE 5
		VBC6	VITRAPANEL CLADDING-TYPE 6
		WAL	WET AREA LINING
		WB	WHITE BOARD



C:\Users\Matthew\Documents\SL503-Plan_Matthew-C-JWP.rvt 24/09/2020 12:12:49 PM
 DO NOT SCALE DRAWINGS
 FIGURED DIMENSIONS TAKE PRECEDENCE.
 COPYRIGHT OF THIS DRAWING IS VESTED IN JWP ARCHITECTS UNDER THE PROVISION OF THE COPYRIGHT ACT 1968.
 UNAUTHORISED USE OF THIS INFORMATION IS PROHIBITED
 Revision Revision Date Revision Description Issued by
 T1 2020.09.24 TENDER ISSUE



ST LUKE'S PRIMARY SCHOOL, SHEPPARTON
 PROPOSED CLASSROOMS

SECTION DETAILS 02

Drawing No	A305	T1
Status	TENDER	Scale shown for A1