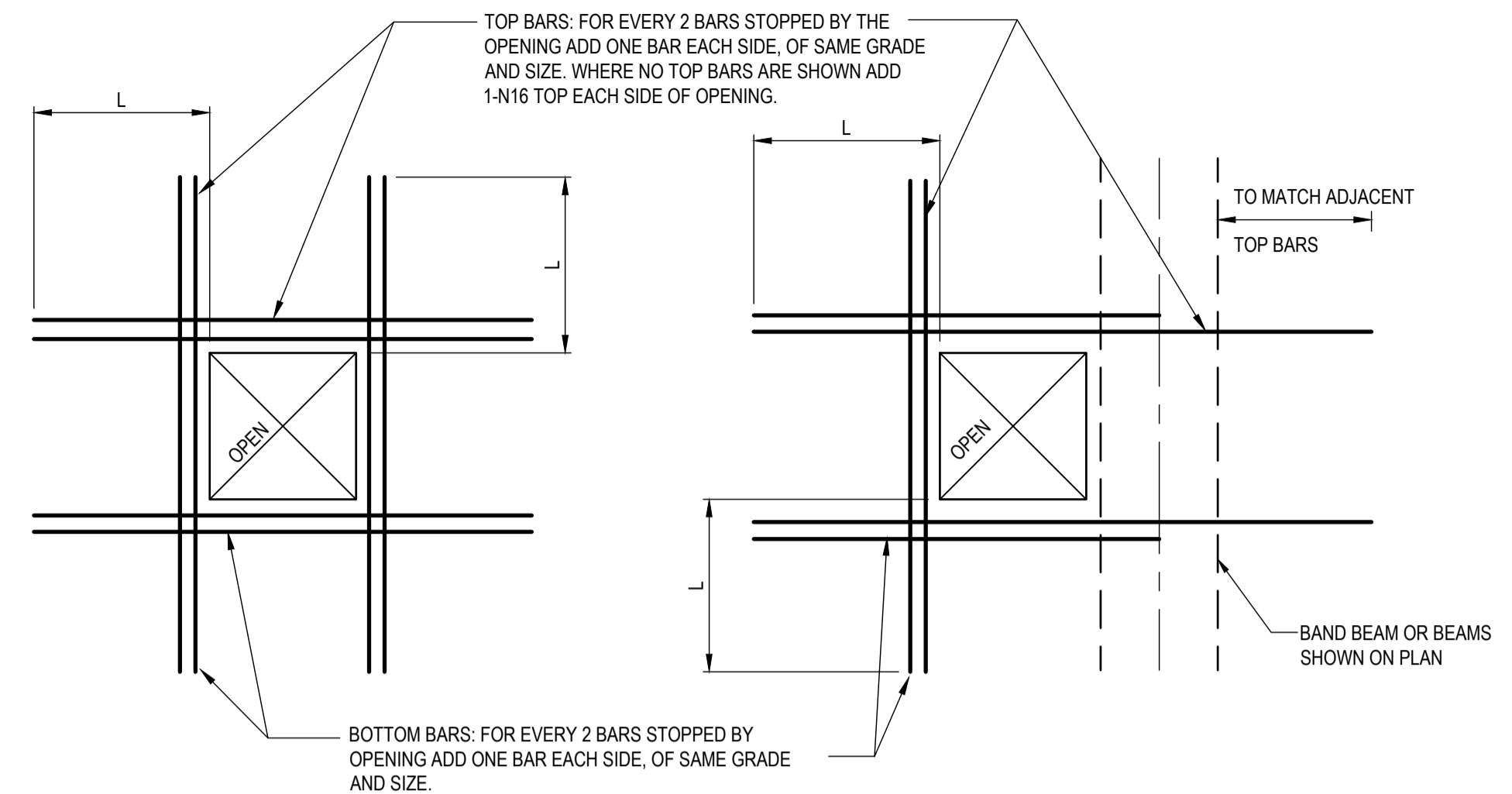


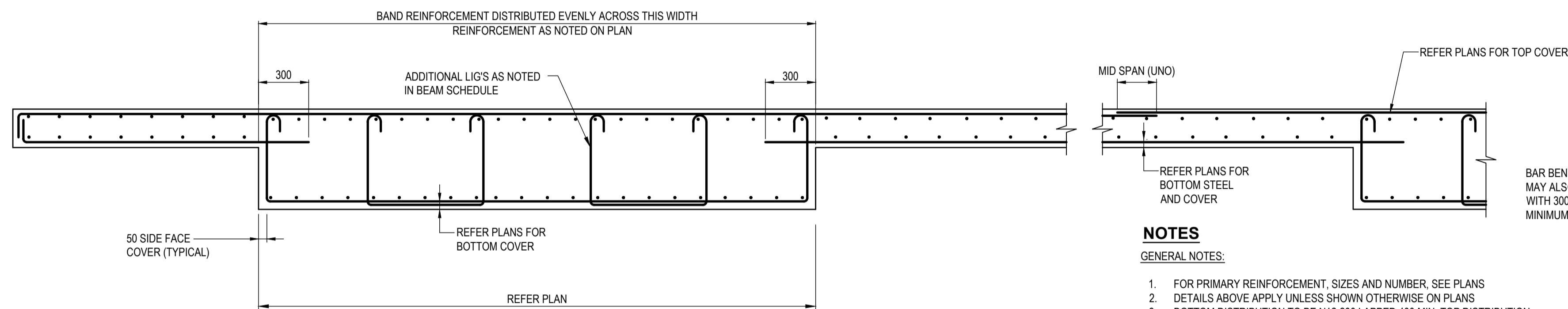
TYPICAL REINFORCED CONCRETE BAND BEAM ELEVATION
UNLESS NOTED OTHERWISE ON PLAN
NOTE: REFER TO PT CONTRACTOR'S DRAWINGS FOR ARRANGEMENT OF POST-TENSION TENDONS

WHERE ADJACENT SPANS VARY BY MORE THAN 20% TOP STEEL SHALL BE PROPORTIONED FROM THE GREATER SPAN WITH REINFORCEMENT CENTRAL TO BEAM



TYPICAL PENETRATIONS IN SUSPENDED SLABS
NEAR MID SPAN NEAR BAND BEAM

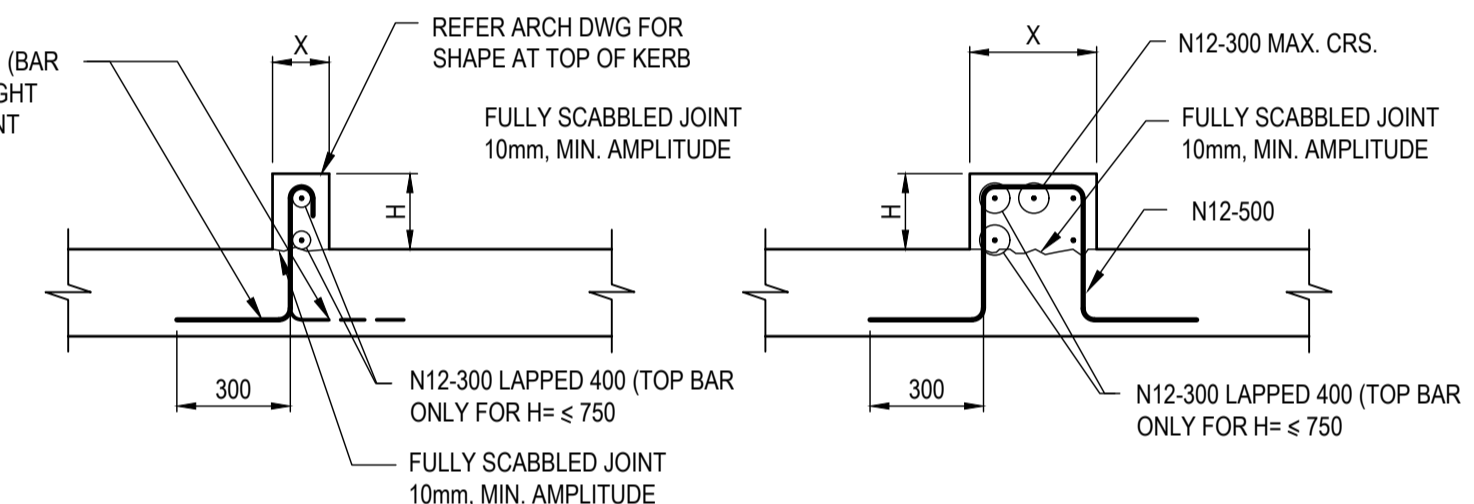
- NOTE
- FOR HOLES LESS THAN OR EQUAL TO 250 x 250mm BARS TO BE RE-ARRANGED AROUND HOLE
 - FOR HOLES GREATER THAN 250 x 250mm BUT LESS THAN 500 x 500mm USE ABOVE DETAILS.
 - FOR HOLES GREATER THAN 500 x 500mm USE ABOVE DETAILS UNLESS SHOWN OTHERWISE ON ENGINEERS PLANS.
 - LOCATION OF HOLES TO BE TO THE APPROVAL OF THE STRUCTURAL ENGINEER.
 - REFER ALSO TO SPECIFICATION NOTES ON DRG. S01.



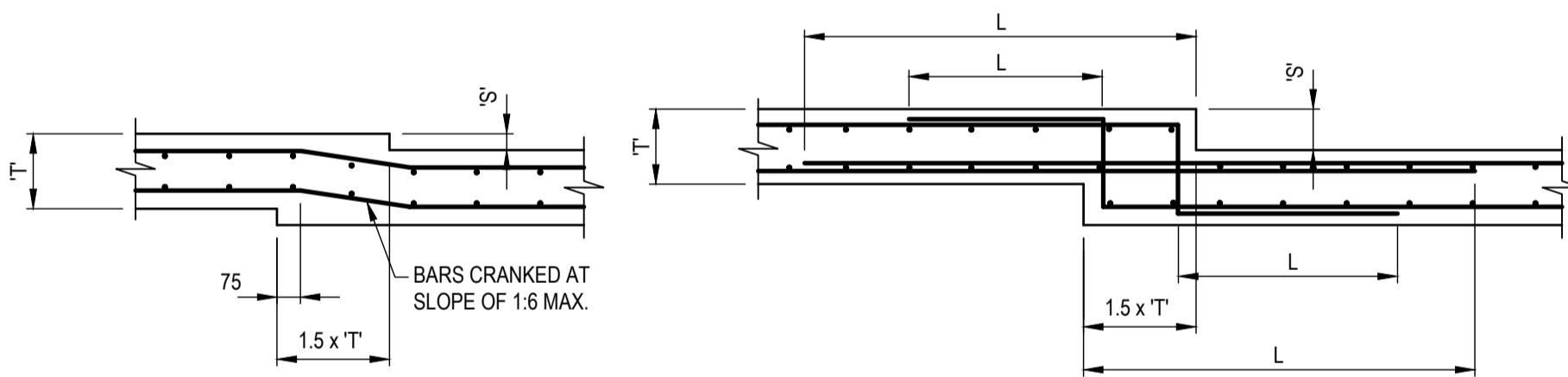
TYPICAL BAND BEAM SECTION
TYPICAL REINFORCED CONCRETE SLAB SECTION
UNLESS NOTED OTHERWISE ON PLAN

NOTES
GENERAL NOTES:

- FOR PRIMARY REINFORCEMENT, SIZES AND NUMBER, SEE PLANS
- DETAILS ABOVE APPLY UNLESS SHOWN OTHERWISE ON PLANS
- BOTTOM DISTRIBUTION TO BE N12-200 LAPPED 400 MIN. TOP DISTRIBUTION BARS TO BE N12-200 LAPPED 400 MIN.
- FOR PRIMARY AND SECONDARY DIRECTIONS OF REINFORCEMENT SEE PLANS
- PROVIDE ADEQUATE BAR CHAIRS OR SUPPORT CAGES TO SUPPORT REINFORCEMENT AT CORRECT LEVELS
- FOR SLABS REINFORCED WITH BOTTOM FABRIC, THE FABRIC SHALL BE IN ONE PIECE IN DIRECTION OF SHORT SPAN, MAIN WIRES TO BE LOWER LAYER
- TO BE READ IN CONJUNCTION WITH PLANS - PLANS GOVERN
- REFER TO PT CONTRACTOR'S DRAWINGS FOR ARRANGEMENT OF POST-TENSION TENDONS

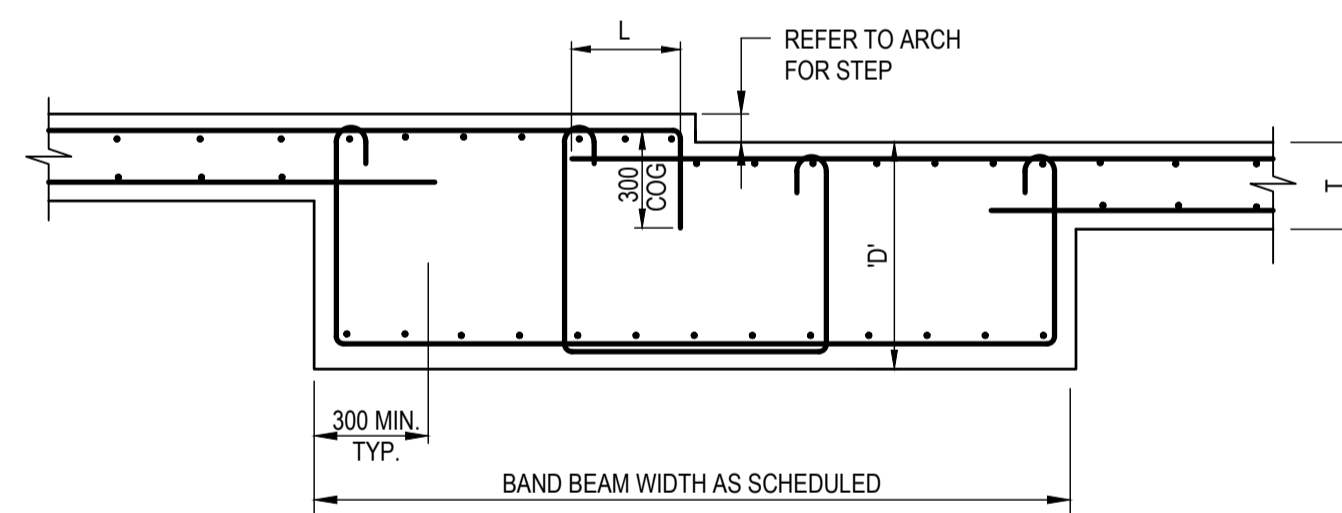


TYPICAL CONCRETE HOB DETAIL
SCALE: 1:10



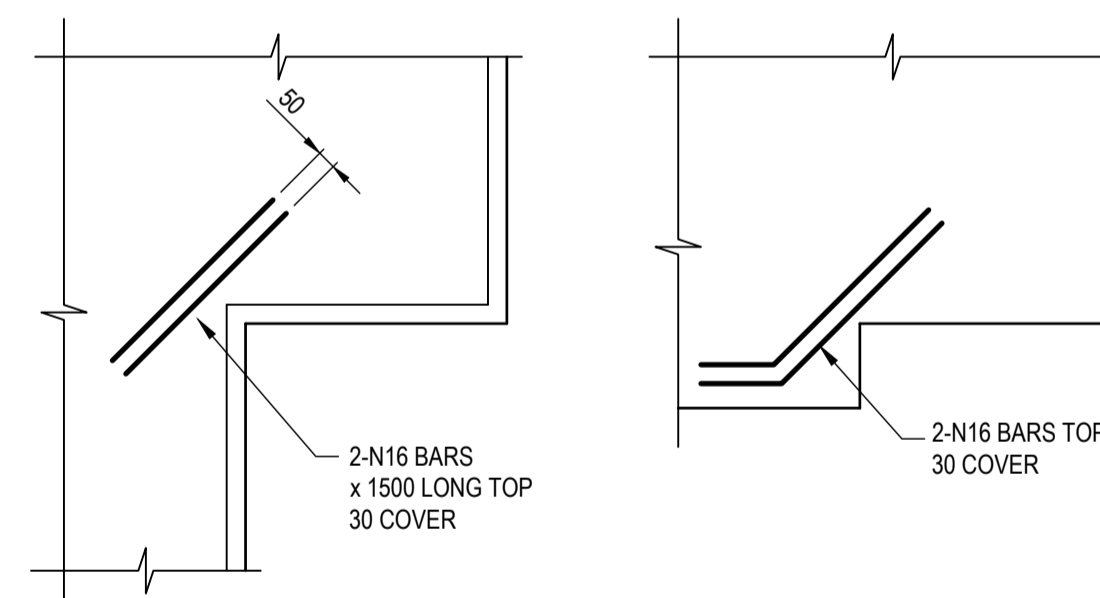
TYPICAL STEP IN SUSPENDED SLAB DETAILS

- NOTE
- DETAILS APPLY UNLESS SHOWN OTHERWISE ON THE DRAWINGS.
 - REFER TO GENERAL NOTES ON DRG. S01.
 - SETDOWN GREATER THAN 1.5 T TO ENGINEERS DETAIL.
 - ALL COGS SHALL HAVE AN INTERNAL RADIUS IN ACCORDANCE WITH AS3600.
 - FOR DEVELOPMENT LENGTH 'L' REFER TO LAP SPICE STANDARD SCHEDULE.
 - REFER TO PT CONTRACTOR'S DRAWINGS FOR ARRANGEMENT OF POST-TENSION TENDONS.

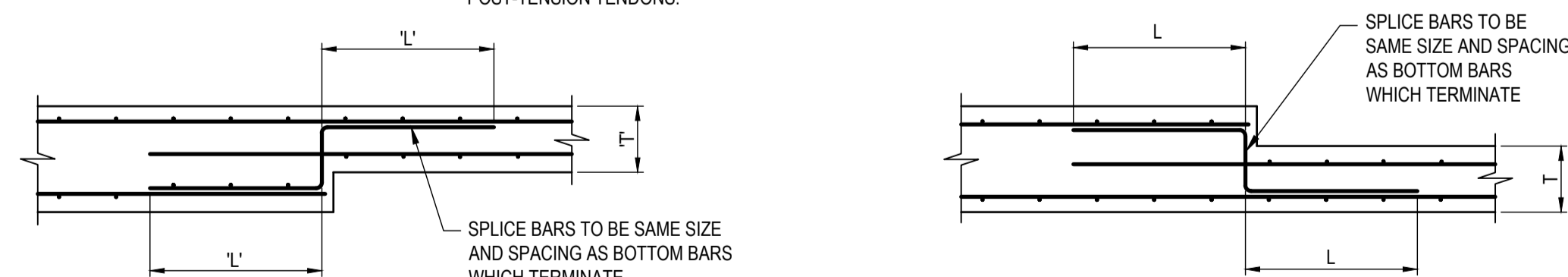


STEP AT BEAM

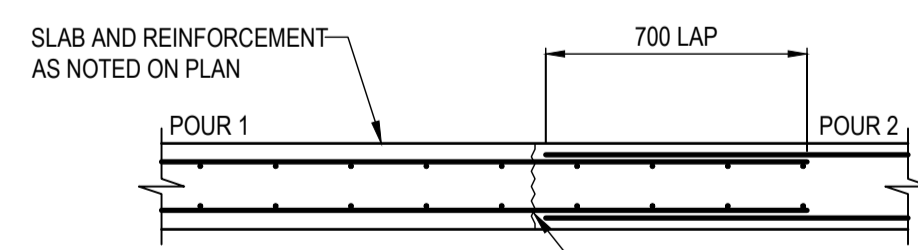
- NOTE
- REFER TO SCHEDULE FOR BEAM REINFORCEMENT.
 - D = MINIMUM BEAM DEPTH AS SCHEDULED.
 - T = SLAB THICKNESS.
 - REFER TO PT CONTRACTOR'S DRAWINGS FOR ARRANGEMENT OF POST-TENSION TENDONS



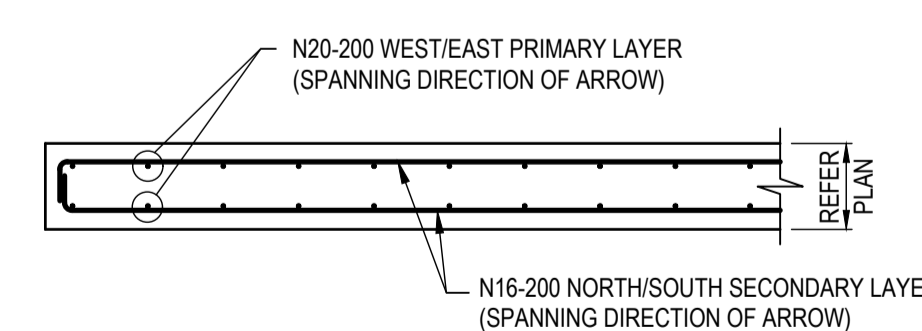
TYPICAL RE-ENTRANT CORNER DETAIL
N.T.S.



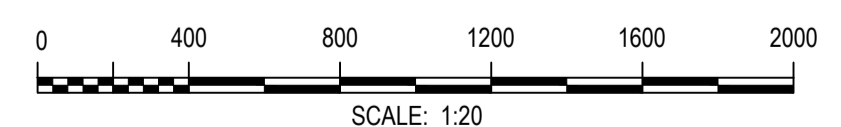
CHANGE IN SLAB THICKNESS DETAIL 1 **CHANGE IN SLAB THICKNESS DETAIL 2**



SUSPENDED SLAB CONSTRUCTION JOINT DETAIL
SCALE: 1:20



TYPICAL SUSPENDED SLAB DETAIL
SCALE: 1:20



REVISION	DATE	ISSUE DESCRIPTION	DRAWN	CHECKED	APPROVED
A	16/08/2024	PRELIMINARY ISSUE	HB	TL	TL
B	22/08/2024	PRELIMINARY ISSUE	HB	TL	TL
C	06/09/2024	PRELIMINARY ISSUE	HB	TL	TL
D	12/09/2024	TENDER ISSUE	HB	TL	TL

CLIENT
ds architects
DS Architects Pty Ltd
ABN 59 005 204 679
1796 Camberwell Road
Hawthorn East Victoria 3123
T: (03) 9818 3555
www.dsarch.com.au

PROJECT
WODONGA TAFE LOGICAL INNOVATIONS - CLIENT HUB
45 ALBERTON ROAD
BARNAWARHTHA NORTH, VICTORIA 3691

creo STRUCTURES
Level 7, 176 Wellington Parade
East Melbourne, VIC, Australia 3002
Ph: (03) 9415 1085

DRAWING TITLE
SUSPENDED SLAB DETAILS SHEET 1

STATUS
ISSUED FOR TENDER
NOT FOR CONSTRUCTION

SCALE AT A1	DRAWN	DESIGNED
1:20	H BYRNES	L BRAIN
PROJECT ENGINEER	PROJECT MANAGER	DATE FIRST ISSUE
T LEACH	A P SPENCER	16/08/2024
PROJECT No.	DRAWING No.	REVISION
230453	S2024	D