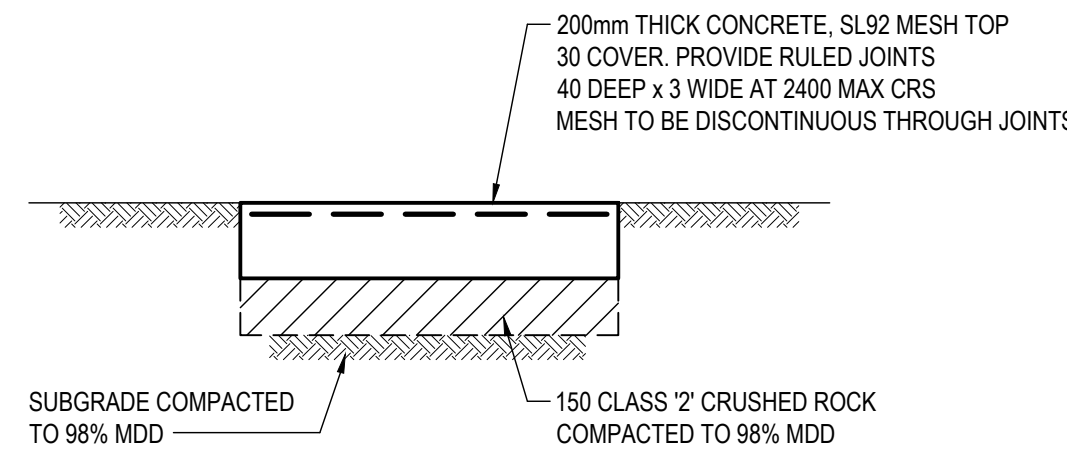


NOTE: C.J INDICATES SLAB CONSTRUCTION JOINT, REFER DETAILS. SLABS ADJACENT TO JOINT (SECOND POUR) TO BE CAST AT LEAST 7 DAYS AFTER FIRST POUR.

NOTE: REFER TO ARCHITECTS AND LANDSCAPE ARCHITECTS DOCUMENTATION FOR PAVEMENT FINISHES

TYPICAL 125mm THICK CONCRETE PAVEMENT DETAIL

SCALE 1:20

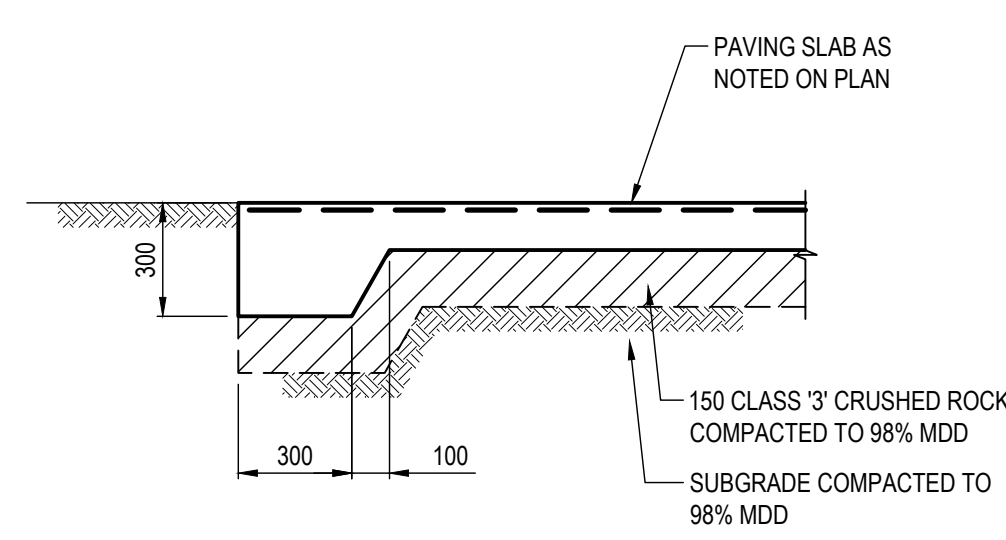


NOTE: C.J INDICATES SLAB CONSTRUCTION JOINT, REFER DETAILS. SLABS ADJACENT TO JOINT (SECOND POUR) TO BE CAST AT LEAST 7 DAYS AFTER FIRST POUR.

NOTE: REFER TO ARCHITECTS AND LANDSCAPE ARCHITECTS DOCUMENTATION FOR PAVEMENT FINISHES

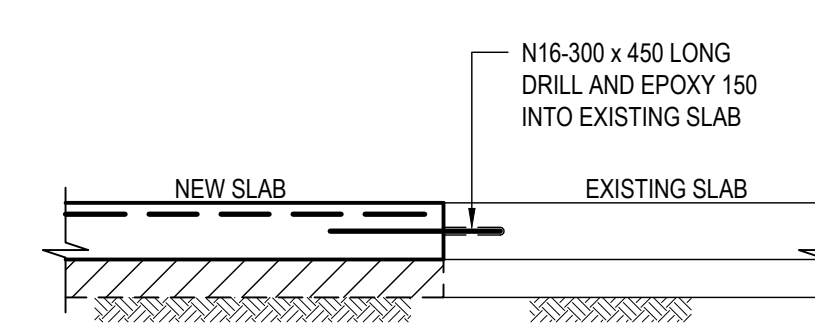
TYPICAL 200mm THICK CONCRETE PAVEMENT DETAIL

SCALE 1:20



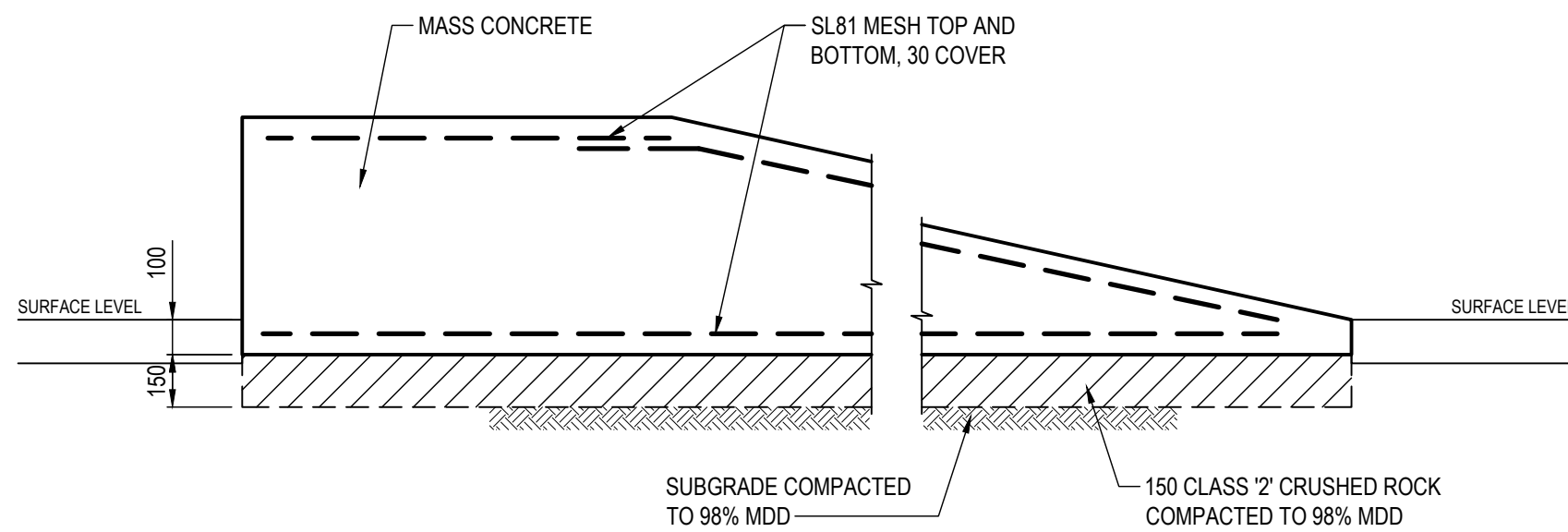
SCALE 1:20

SLAB THICKENING DETAIL



SCALE 1:20

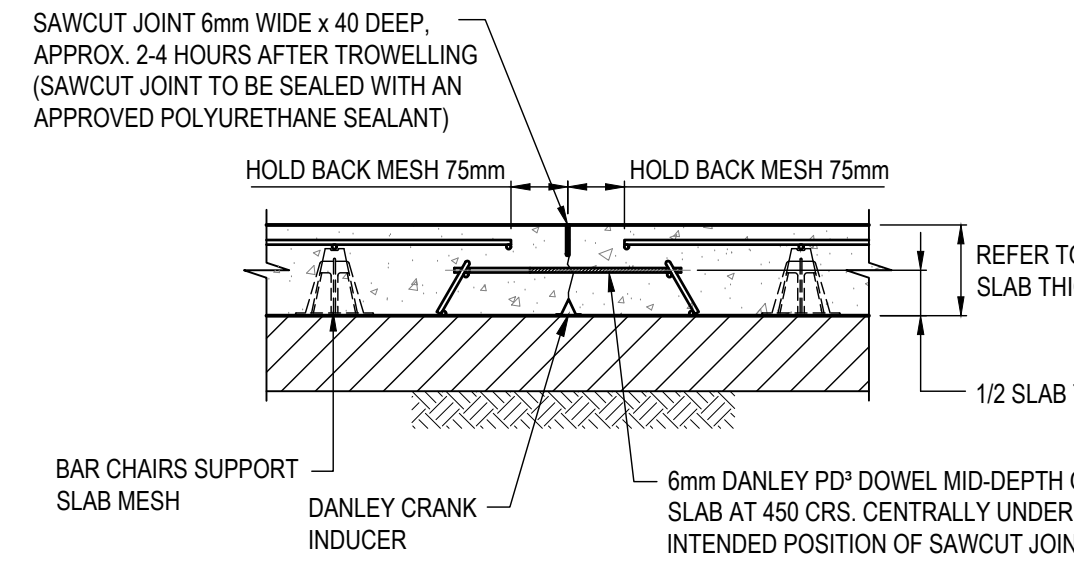
TYPICAL NEW TO EXISTING SLAB DOWEL JOINT 'D.J.' DETAIL



NOTE: PROVIDE RULED JOINTS, 40mm DEEP x 3mm WIDE, AT 2.4m MAX CRS MESH TO BE DISCONTINUOUS THROUGH JOINTS

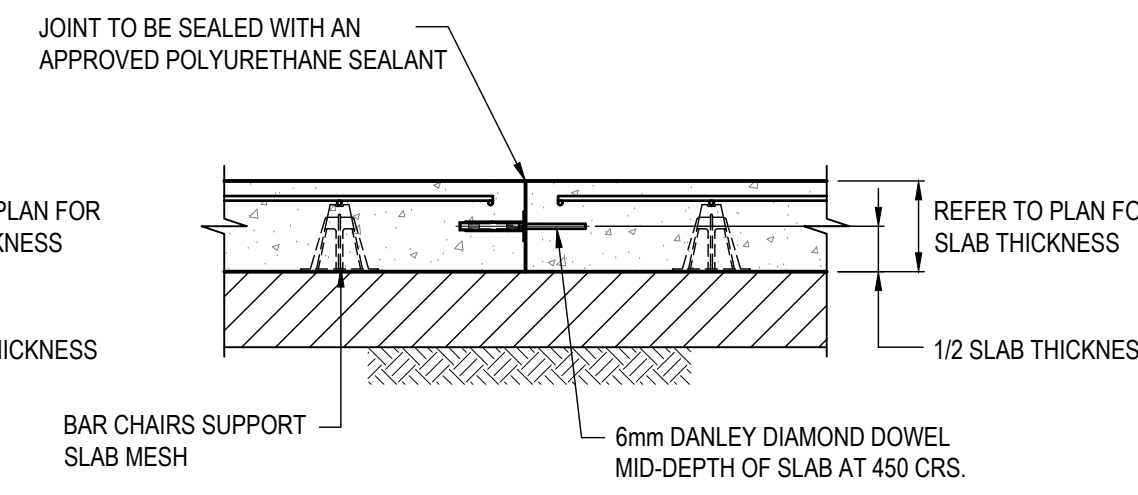
TYPICAL MASS CONCRETE RAMP DETAIL

SCALE 1:20



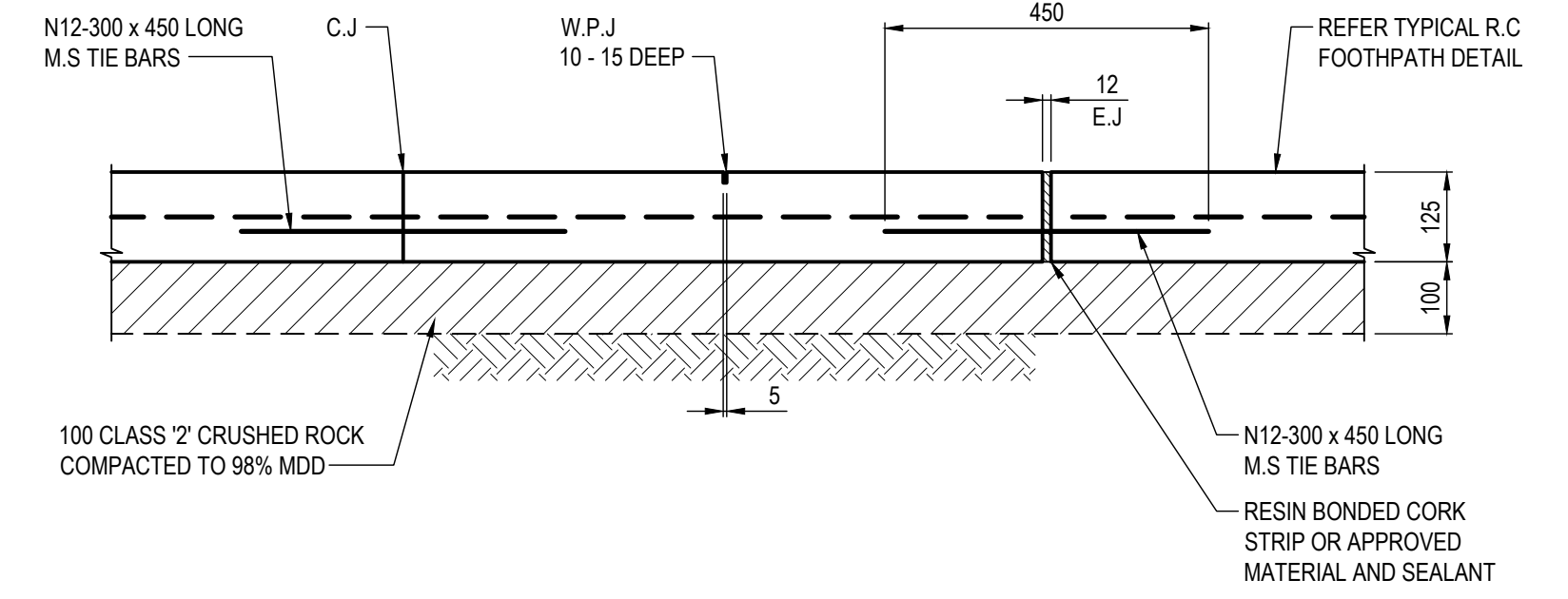
TYPICAL SAWCUT JOINT (S.C)

SCALE 1:10



TYPICAL CONSTRUCTION JOINT (C.J)

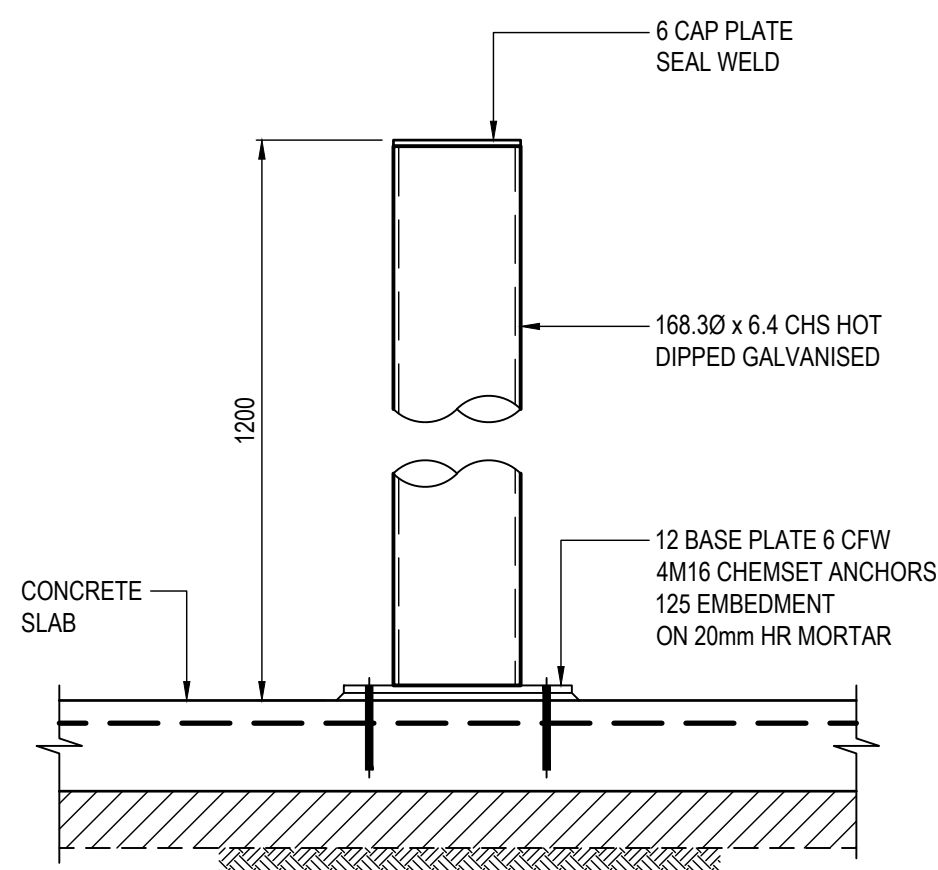
SCALE 1:10



CONSTRUCTION JOINT (C.J) WEAKENED PLANE JOINT (W.P.J) EXPANSION JOINT (E.J)

FOOTPATH JOINT DETAILS

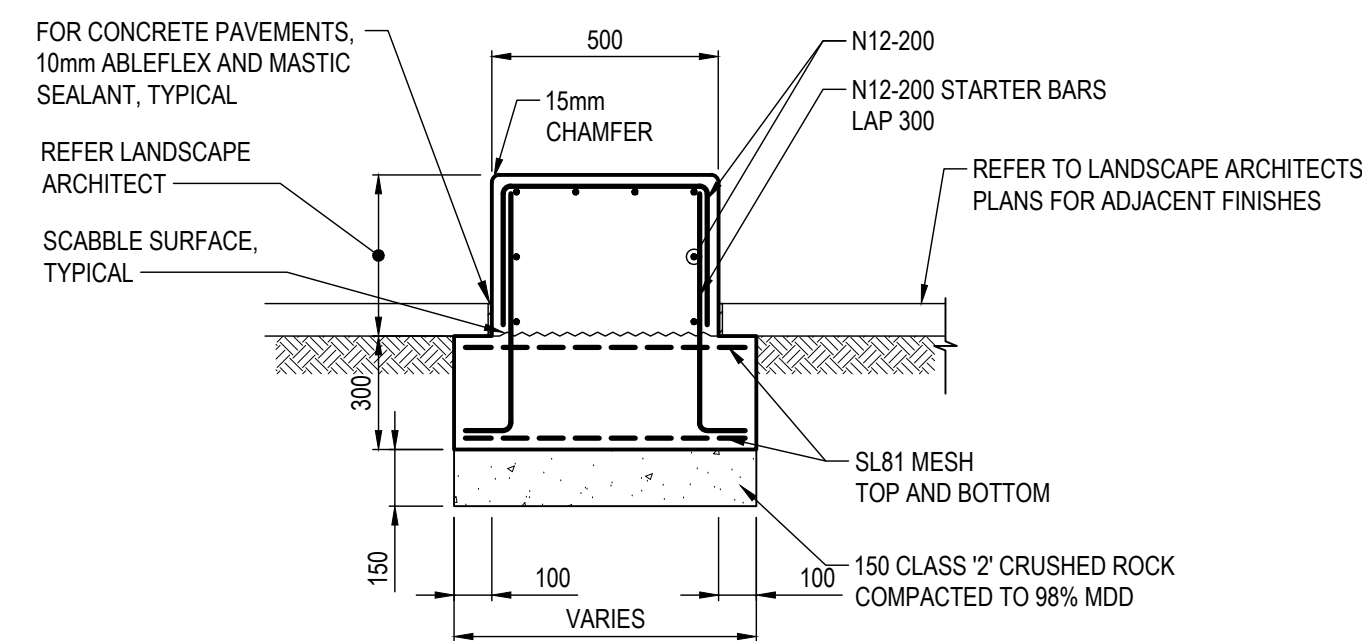
SCALE 1:10



NOTE: BOLLARDS TO BE GALVANISED AND THEN PAINTED SAFETY YELLOW

BOLLARD 'B1' DETAIL

SCALE 1:20



TYPICAL BENCH SEAT 'CS1' DETAIL

SCALE 1:20



REVISION	DATE	ISSUE DESCRIPTION	DRAWN	CHECKED	APPROVED
A	16/08/2024	PRELIMINARY ISSUE	HB	APS	APS
B	06/09/2024	PRELIMINARY ISSUE	HB	APS	APS
C	12/09/2024	TENDER ISSUE	HS	APS	APS
D	26/09/2024	TENDER ISSUE	HB	APS	APS

CLIENT

ds architects

DS Architects Pty Ltd
ABN 59 005 204 679
1/96 Camberwell Road
Hawthorn East Victoria 3123
T: (03) 9818 3555
www.dsarch.com.au

creo STRUCTURES

Level 7, 176 Wellington Parade
East Melbourne, VIC, Australia 3002
Ph: (03) 9415 1085

PROJECT

WODONGA TAFE LOGICAL INNOVATIONS - CLIENT HUB

45 ALBERTON ROAD
BARNAWARHTHA NORTH, VICTORIA 3691

DRAWING TITLE

CIVIL DETAILS SHEET 2

STATUS

**ISSUED FOR TENDER
NOT FOR CONSTRUCTION**

SCALE AT A1	DRAWN	DESIGNED
1:20	H BYRNES	N HA
PROJECT ENGINEER	PROJECT MANAGER	DATE FIRST ISSUE
T LEACH	A P SPENCER	16/08/2024
PROJECT No.	DRAWING No.	REVISION
230453	C2008	D