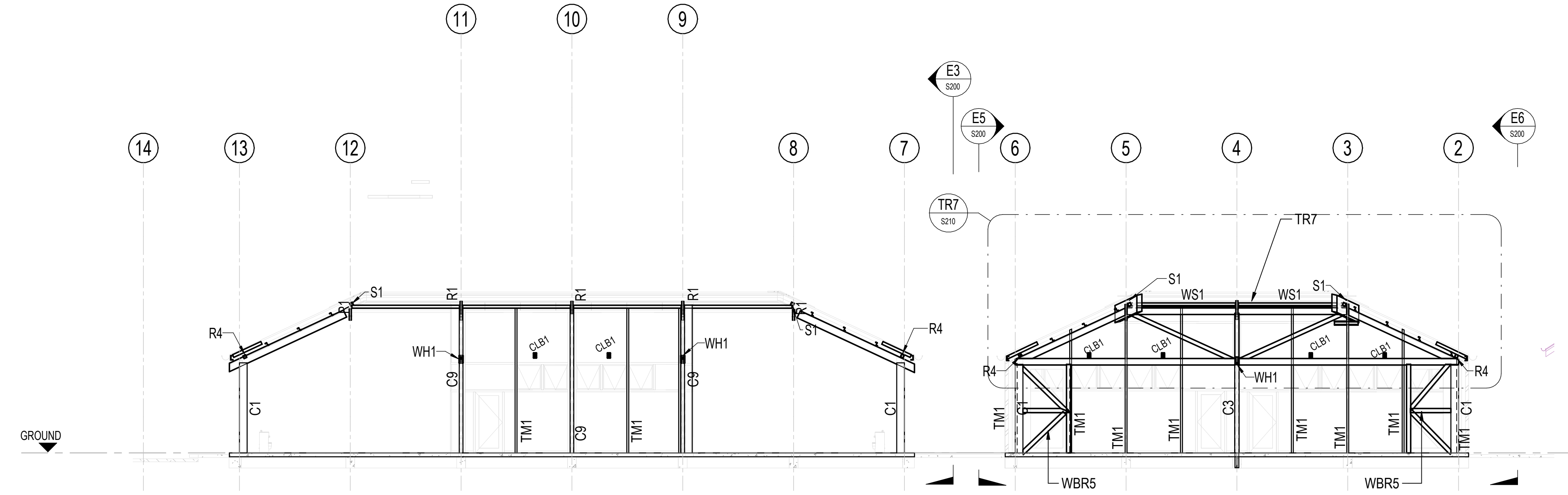
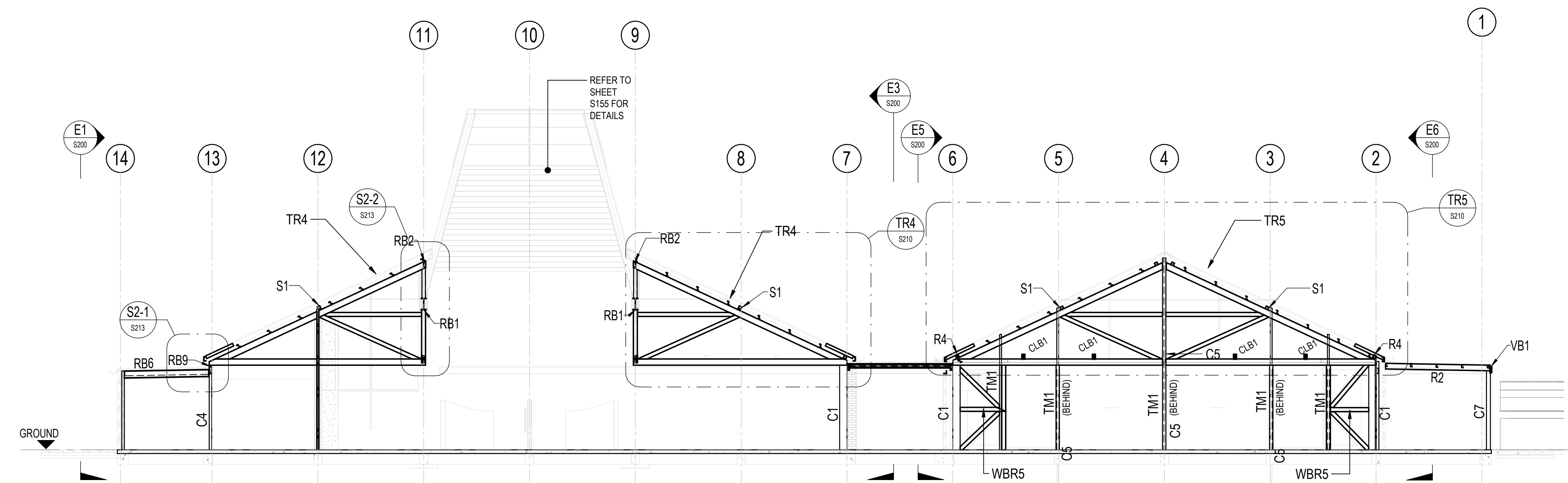


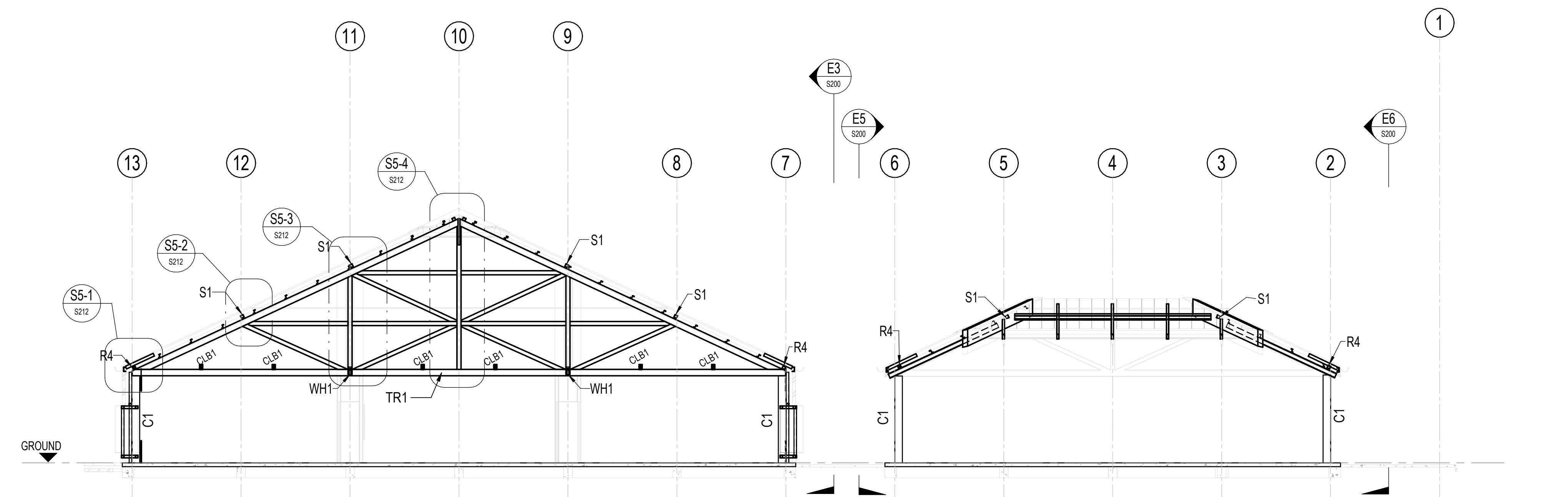
SECTION S1
SCALE = 1:100



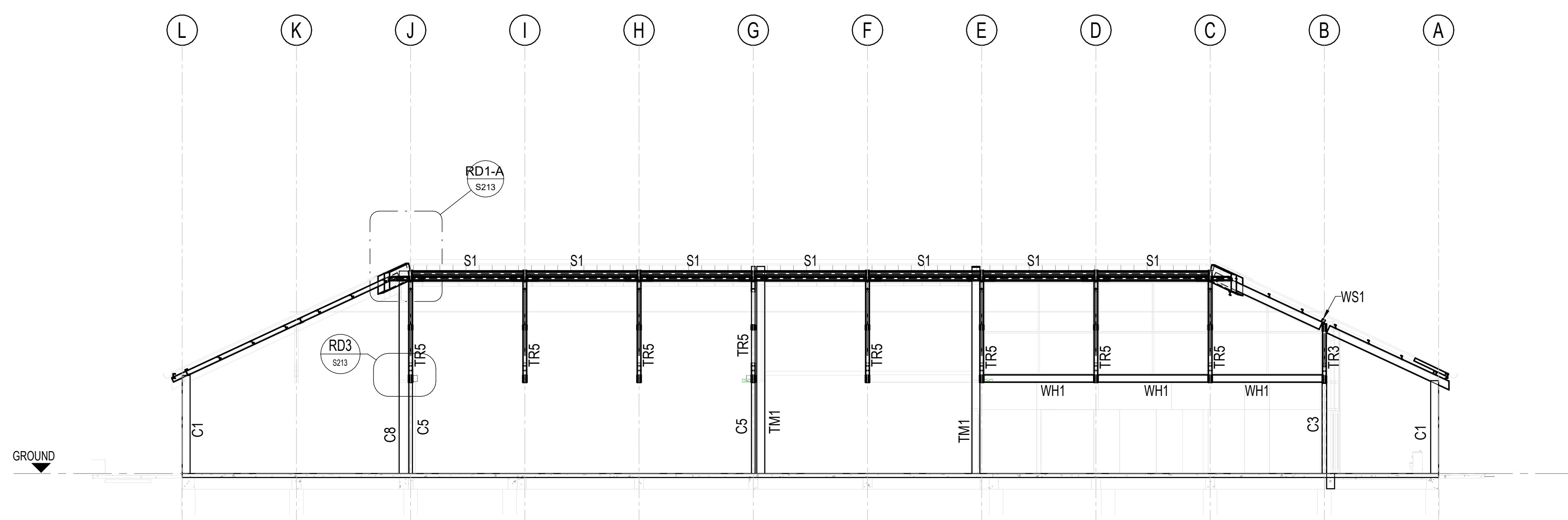
SECTION S4
SCALE = 1:100



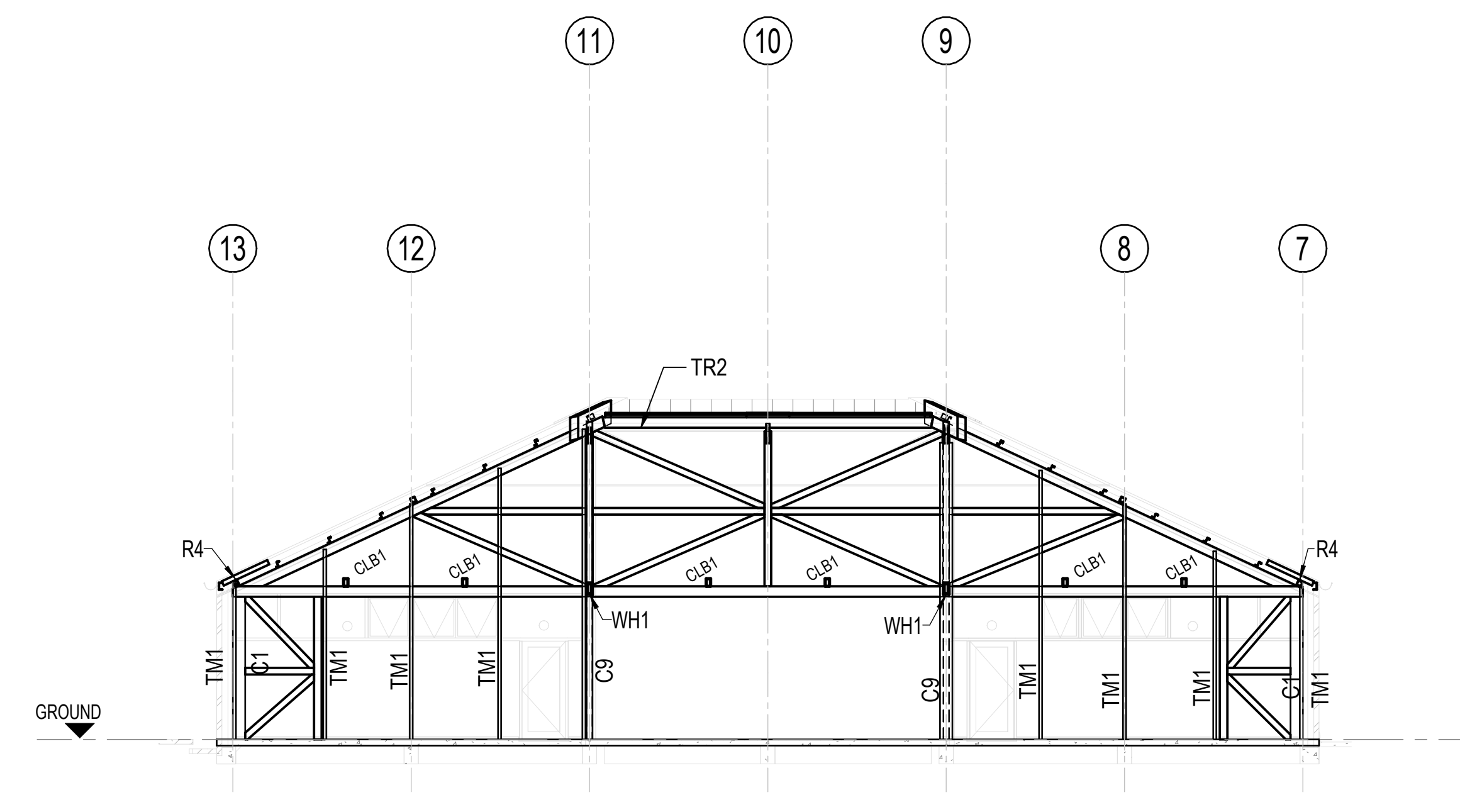
SECTION S2
SCALE = 1:100



SECTION S5
SCALE = 1:100



SECTION S3
SCALE = 1:100



SECTION S6
SCALE = 1:100

Issue	Description	Drwn	Chkd	Appd	Date
T1	TENDER	E.V.	A.Y.	D.E.	19.08.24
PT1	PRE-TENDER	E.V.	A.Y.	D.E.	05.08.24
DD1	DESIGN DEVELOPMENT	E.V.	A.Y.	D.E.	19.06.24

Client:
PMDL
mcglashan everist
pmdl-mea.com.au

Project:
THE SCOTS JUNIOR SCHOOL ALBURY
393 PERRY STREET, ALBURY NSW 3640

Title:
FRAMING SECTIONS AND ELEVATIONS - SHEET 2

Designed by:
A.YONG

Drawn by:
E.VURAL

Date:
12.04.24

Scale:
1:100 @ A0

Status:
TENDER

MIGLIC MACLEOD
SHAPING THE BUILT ENVIRONMENT
Level 5, 468 St Kilda Road, Melbourne, VIC 3004
T 1300 30 40 79
W miglicmacleod.com.au

Project No:
3891

Drawing No:
S201

Rev:
T1

22/08/2024 3:01:18 PM C:\Users\evural\OneDrive\My Computer\Projects\3891\3891_S201\Drawings\Structural\Drawings\3891_S201.rvt