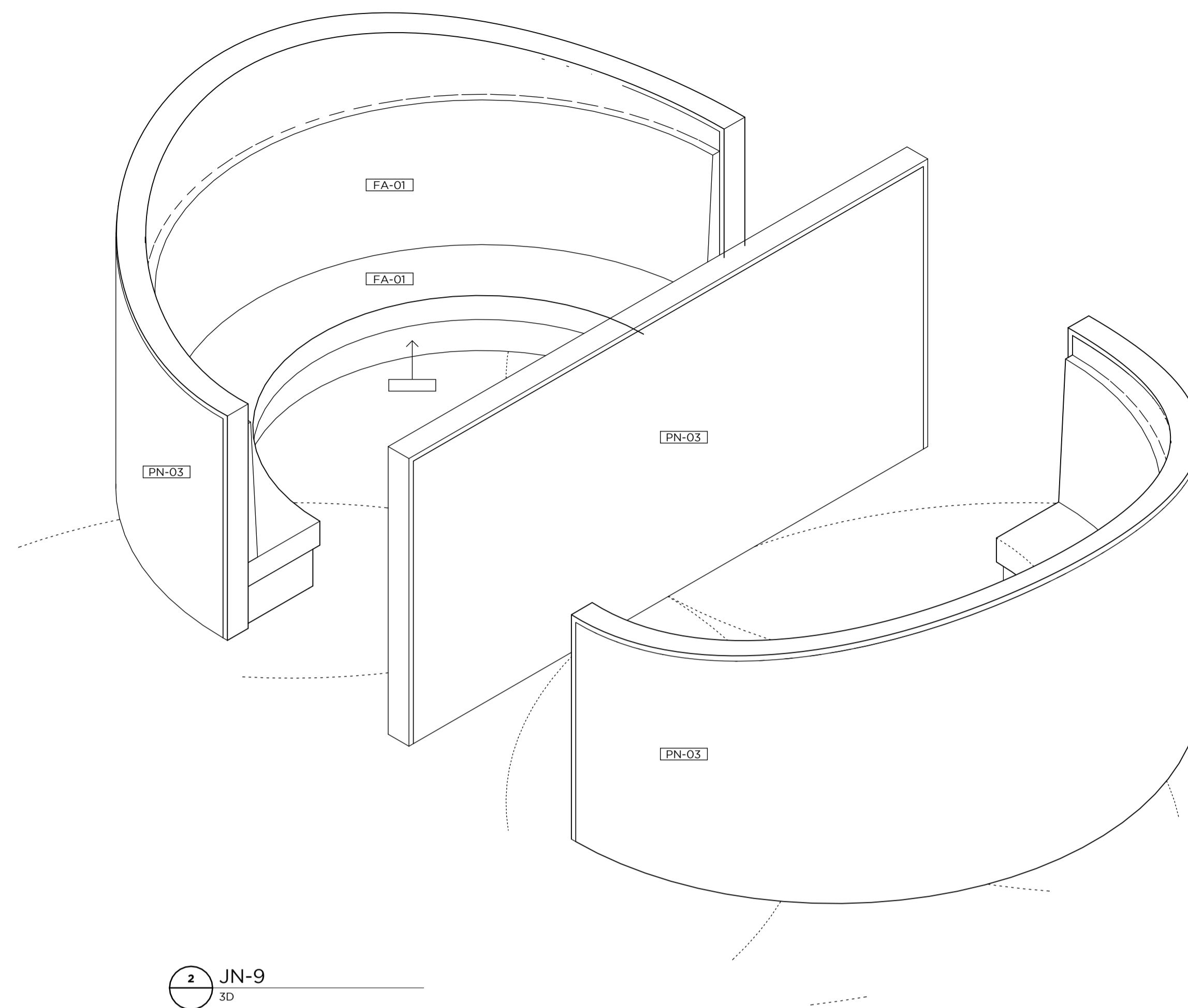
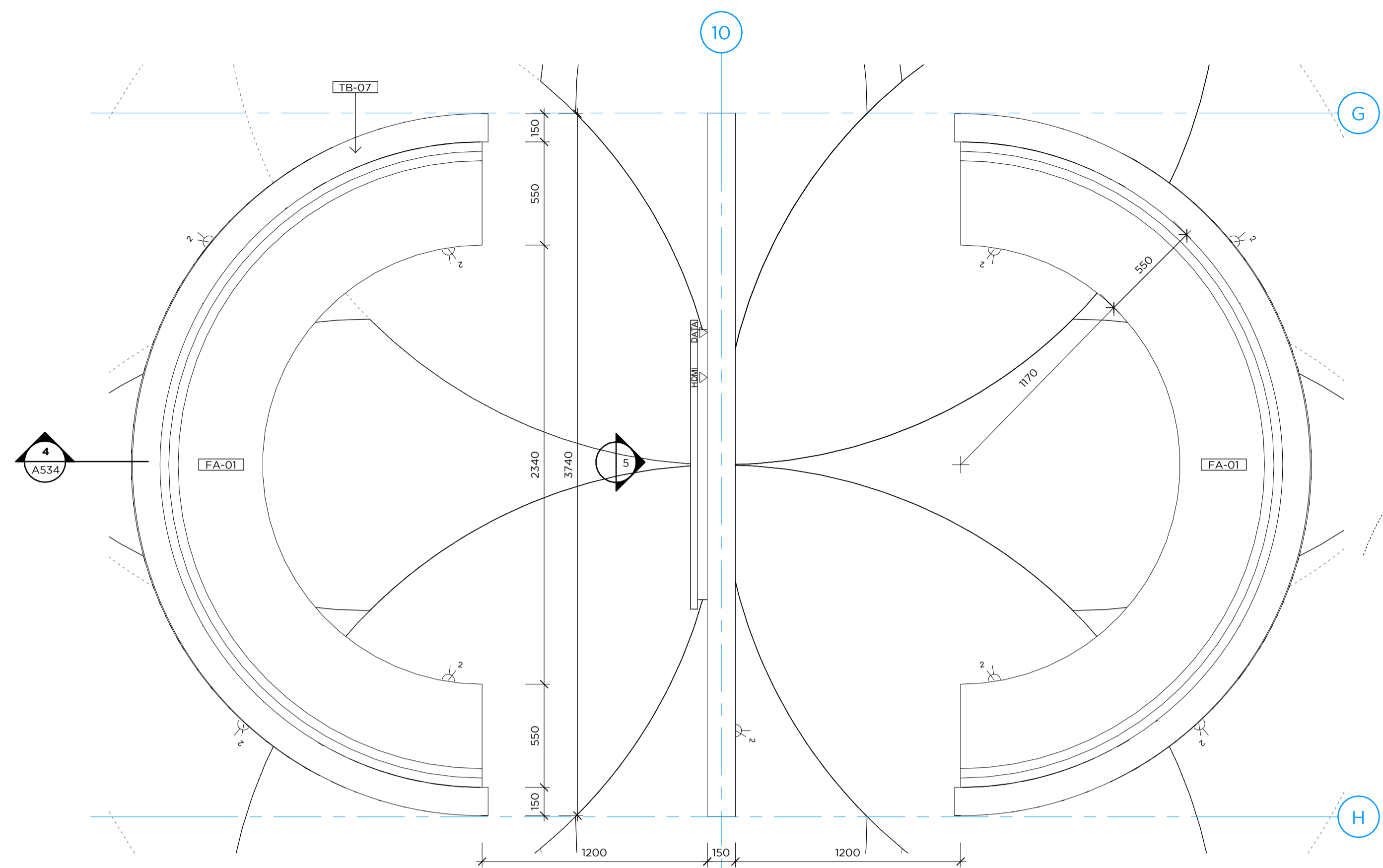


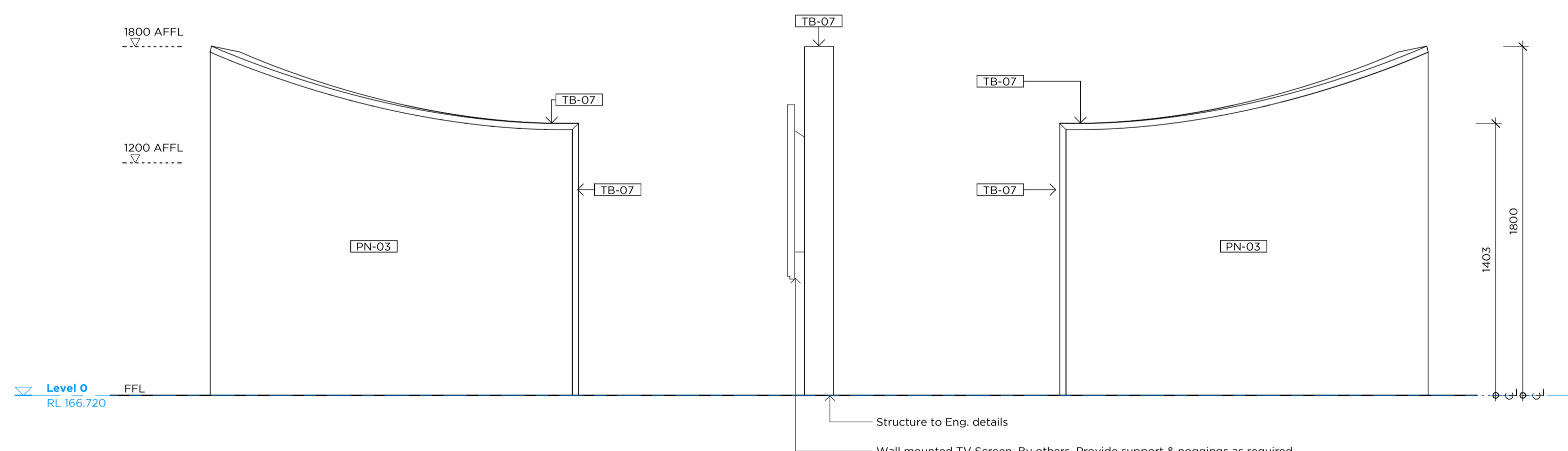
Code	Description
FA-01	Fabric to Central Joinery
LM-01	Joinery - laminate finish
PN-03	Cork lining
TB-07	Timber Edge



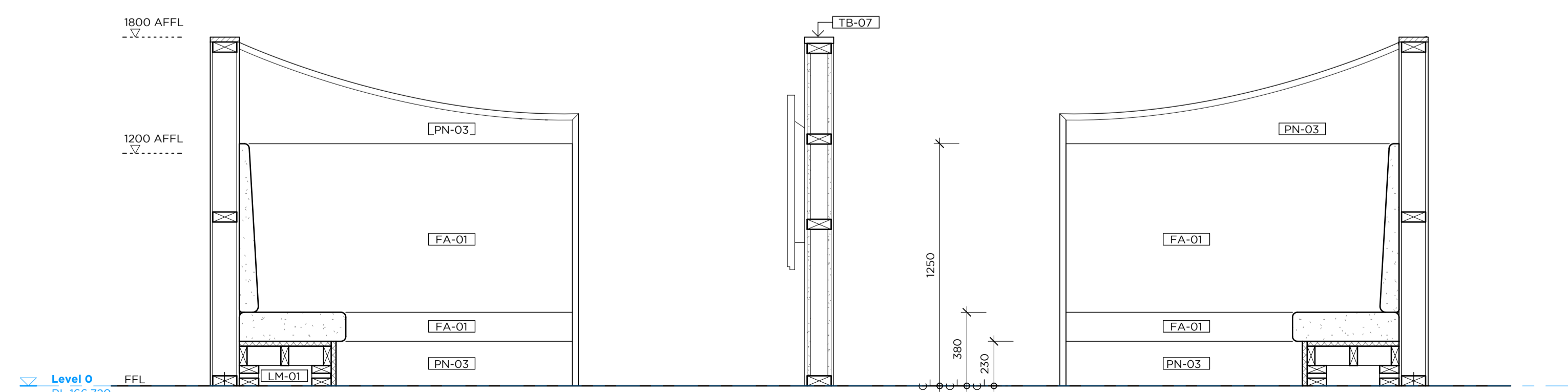
- NOTES**
1. Drawings to be read in conjunction with consultants team documentations and specifications.
  2. All accessible wet areas setout to comply with building codes.
  3. Floor and wall tile graphics are indicative only. All tiles to be setout at centre with all perimeter tiles to be not less than half of tile size.
  4. Refer to Services Engineers documentation for electrical equipment.

1 JN-9 Central Joinery  
Plan 1:20

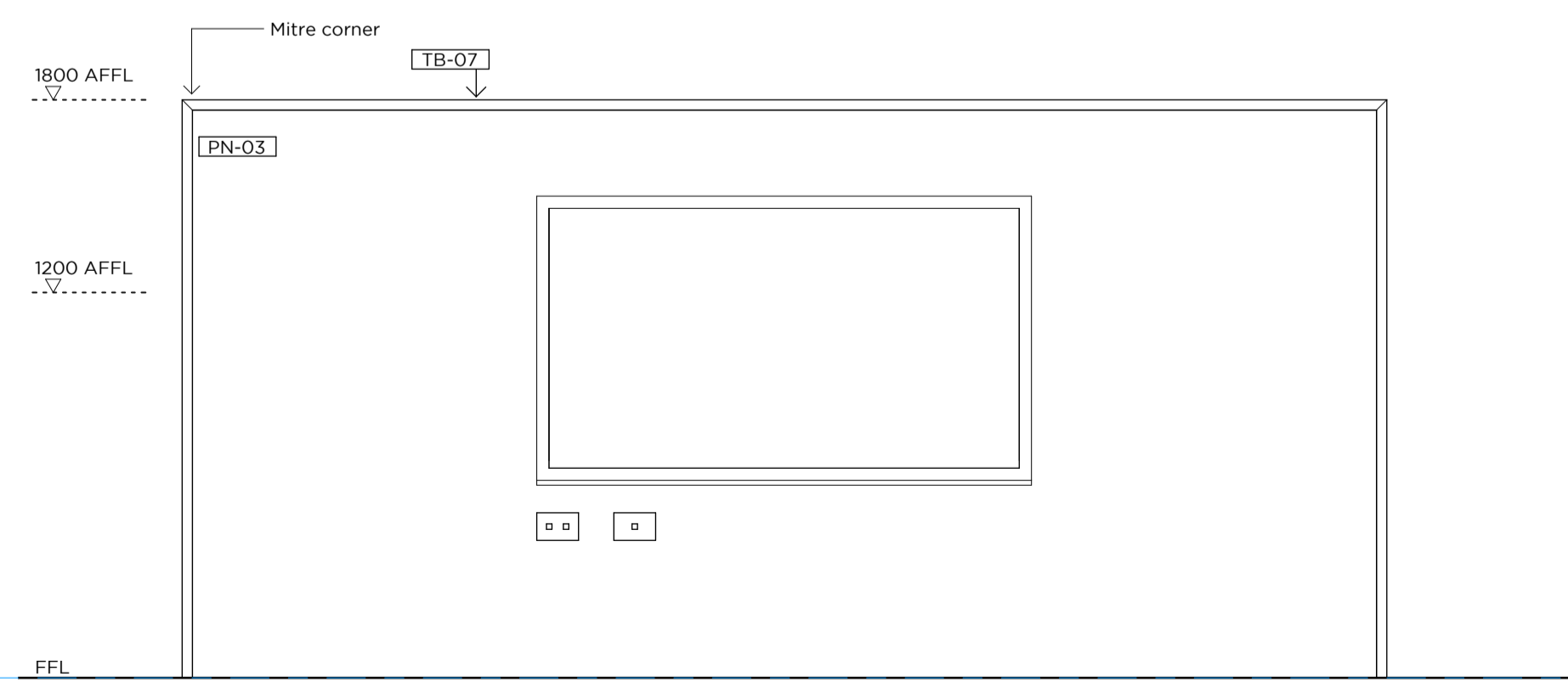
2 JN-9  
3D



3 JN-9  
Elevation 1:20

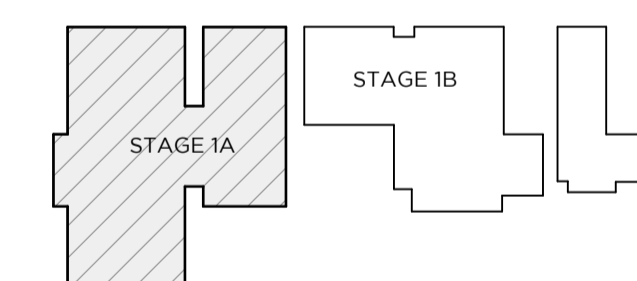


4 JN-9  
Section 1:20



5 JN-9  
Section 1:20

KEY PLAN



NOT FOR CONSTRUCTION

ISSUE	DATE	REVISION
T1	19/08/2024	Tender Issue

DO NOT SCALE FROM DRAWING. USE FIGURED DIMENSION ONLY.  
CHECK ALL DIMENSIONS ON SITE BEFORE MANUFACTURE OR CONSTRUCTION.

**PMDL** **mcglashan everist**

pmdl-mea.com.au

PMDL ARCHITECTURE + DESIGN (PVT) LTD  
PMDL ARCHITECTURE + DESIGN (PTY) LTD ABN 56 062 963 877

PROJECT  
**The Scots Junior School Albury**

CLIENT  
**The Scots School Albury**

DWG #  
**Joinery JN-9 - Stage 1A**

CLIENT REF & CONTACT  
395 Perry St, Albury NSW

DATE	DRAWN	AUTHOR	PROJECT #	DWG #	REVISION
19/08/2024	Author		3178	A534	T1
SCALE @ A1	CHKD	CHECKER			
AS indicated					

