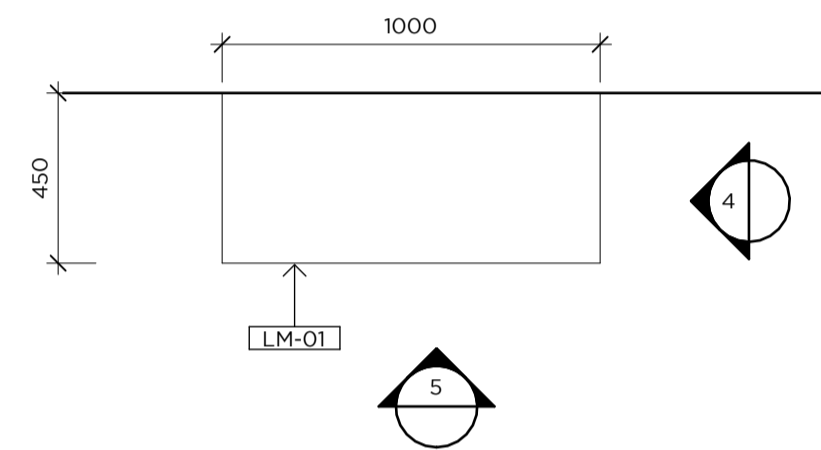
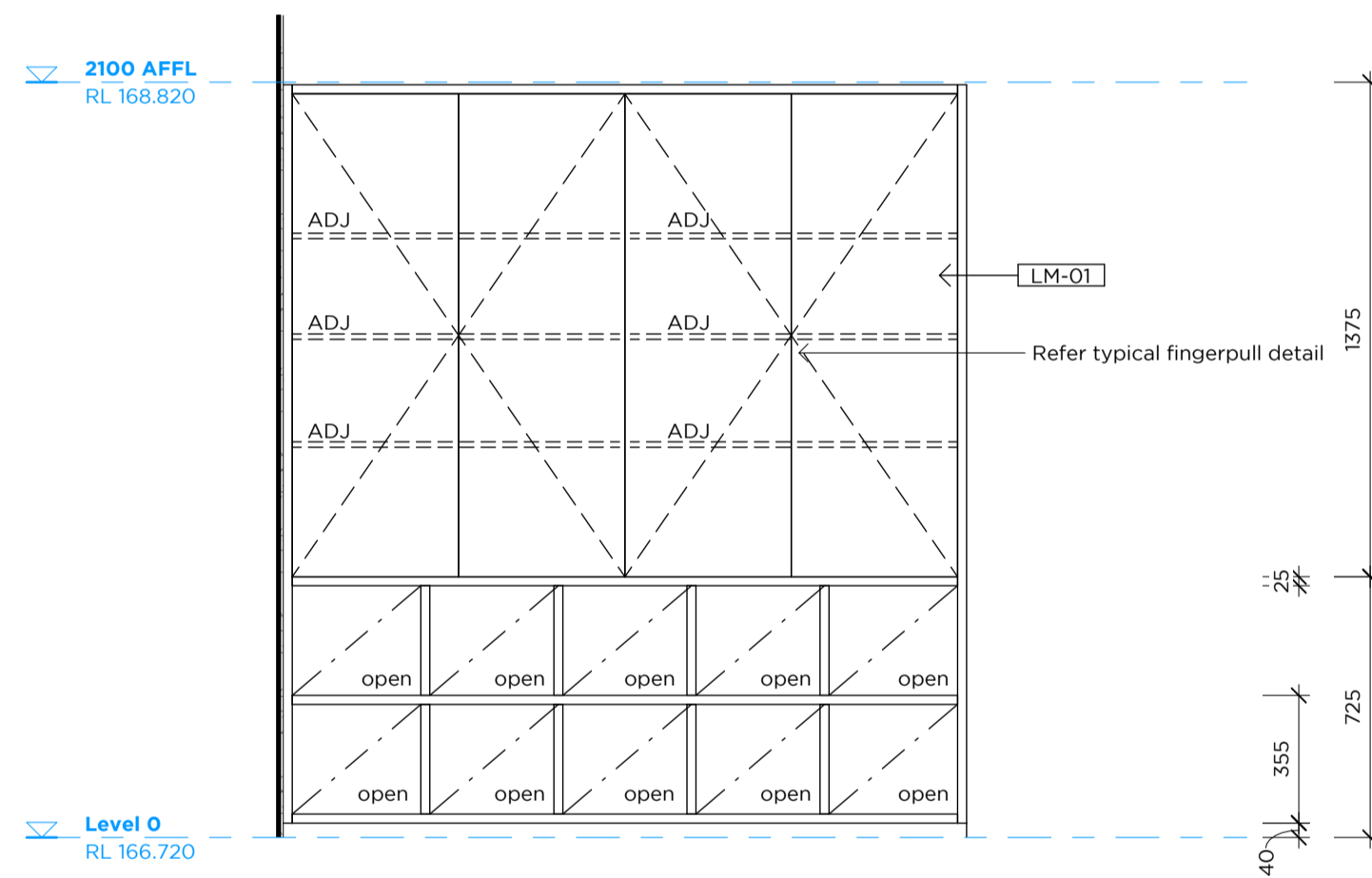


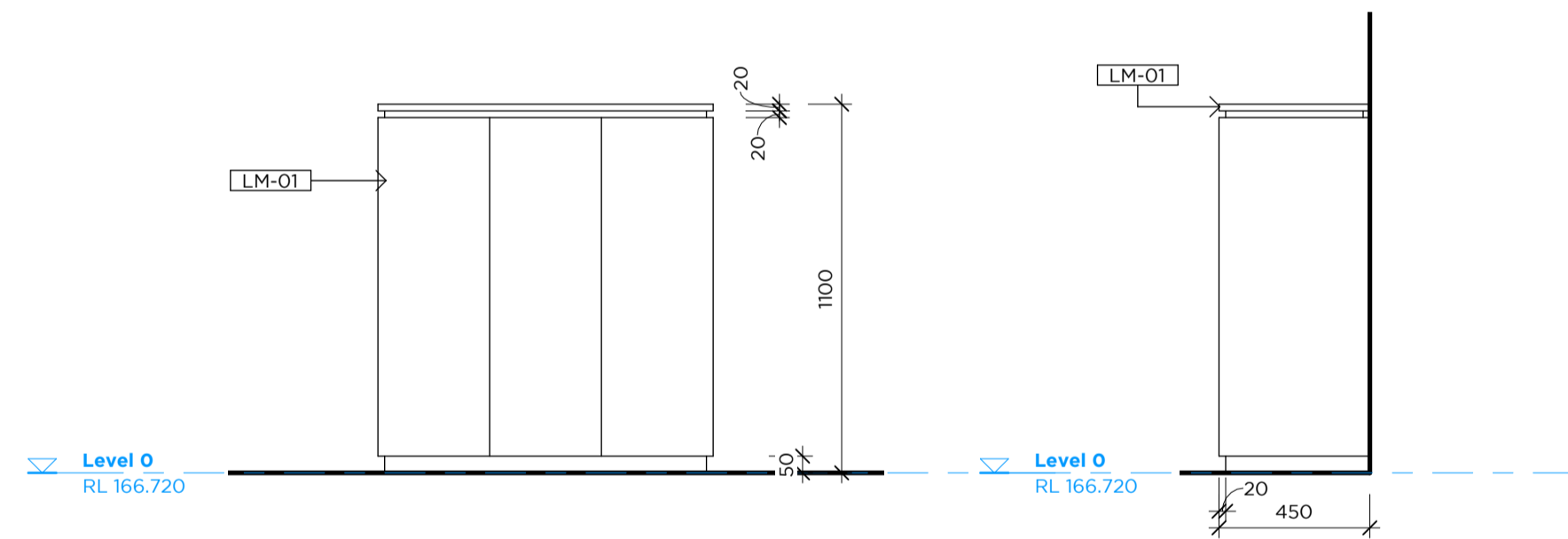
1 JN-2D - Tall store in GLA's
 Plan 1:20



3 JN-16 Kiosk
 Plan 1:20



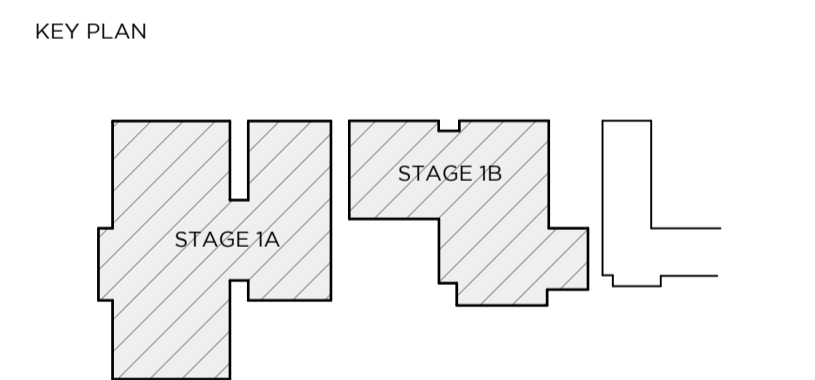
2 JN-2D
 Elevation 1:20



5 JN-16 Front Elevation
 Elevation 1:20

4 JN-16 Side Elevation
 Elevation 1:20

- NOTES**
1. Drawings to be read in conjunction with consultants team documentations and specifications.
 2. All accessible wet areas setout to comply with building codes.
 3. Floor and wall tile graphics are indicative only. All tiles to be setout at centre with all perimeter tiles to be not less than half of tile size.
 4. Refer to Services Engineers documentation for electrical equipment.



NOT FOR CONSTRUCTION

ISSUE	DATE	REVISION
T1	19/08/2024	Tender Issue

DO NOT SCALE FROM DRAWING. USE FIGURED DIMENSION ONLY.
 CHECK ALL DIMENSIONS ON SITE BEFORE MANUFACTURE OR CONSTRUCTION.

0mm 50mm 100mm

PMDL mcglashan everist

pmdl-mea.com.au

PMDL ARCHITECTURE + DESIGN (HK LIMITED)
 PMDL ARCHITECTURE + DESIGN (PTV) LTD (A/NZ 56 062 963 87)

PROJECT
The Scots Junior School Albury

CLIENT
The Scots School Albury

DWG
Joinery JN-2D

CLIENT REF & CONTACT
 395 Perry St, Albury NSW

DATE: 19/08/2024 DRAWN: Author PROJECT #: DWG #: REVISION:

SCALE @ A1: AS indicated CHKD: Checker 3178 A539 T1

NORTH SCALEBAR

